

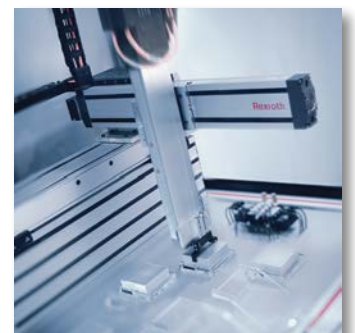
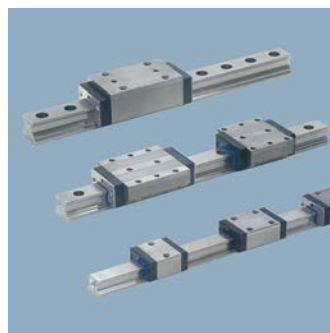
GoTo™ North America

Focused Delivery Program

Linear Motion Technologies



EDITION 02.2021
Supersedes all other revisions and copies



World-class technology without the wait

Whether you're designing and building machines, implementing them in your factory, or servicing them, the GoTo Program is ready to work for you.

GoTo Product Overviews



► **Electric Drives and Controls**



► **Tightening Technology**



► **Industrial and Mobile Hydraulics**



► **Linear Motion Technologies**



► **Assembly Technologies**

The GoTo Focused Delivery Program offers a targeted selection of our high-demand products with short lead times and high availability. As a result, you receive your products quickly and reliably, allowing you to be agile and responsive in your own markets.



You benefit from simplified access to product information, preferred order processing and reduced delivery times. This allows you to complete your machine or system on schedule.

Our GoTo product overviews, whether in printed form or on the Internet, show you the complete portfolio. In addition, our webpages quickly provide you with additional information on the respective product, on the technical data as well as on ordering.

www.boschrexroth-us.com/gotoEDC

www.boschrexroth-us.com/gotoTighteningSystems

www.boschrexroth-us.com/gotoHydraulics

www.boschrexroth-us.com/gotoLinear

www.boschrexroth-us.com/gotoFraming

Linear Motion GoTo Catalog

Bosch Rexroth is pleased to present our Hydraulics GoTo Product catalog as part of our GoTo Focused Delivery Program.

The GoTo Focused Delivery Program streamlines everything to make it easier for you to get a selection of our most popular Rexroth products faster. You'll benefit from quicker access to product information, reliable lead times that meet or beat the expectations of the market, and enhanced customer service.

The same GoTo product portfolio is now available in the United States, Canada, and Mexico. With the same quantities and lead times (from order acceptance to shipment in business days), GoTo is even easier to use.

For additional information on the GoTo Program and a complete list of other quality Rexroth products available in the Focused Delivery Program just go to:

USA: www.boschrexroth-us.com/GoTo

Canada: www.boschrexroth.ca/GoTo

Mexico: www.boschrexroth.com.mx/GoTo



**Focused
Delivery
Program**

GoTo Focused Delivery Program

Your local GoTo contact:

GoTo Program Delivery Conditions

How to place a GoTo order directly with Bosch Rexroth

Please clearly state “GoTo” on the purchase order, and ensure that all GoTo items are within the maximum GoTo quantity.

For products with a published lead time of one (1) business day, the ship date will be the following day, provided:

- the following day is a business day
- the order is placed by 1 PM (EST)

The contents of a GoTo order may not ship as a complete delivery and will not be shipped via the customer defined consolidation point / day.

All items subject to prior sale. It is advisable to confirm critical delivery requirements at time of order. All sales subject to Bosch Rexroth Terms & Conditions of sales for your country, which you can read at:

www.boschrexroth-us.com or
www.boschrexroth.ca or
www.boschrexroth.com.mx

Bosch Rexroth reserves the right to make program changes at any time without notice, and to limit GoTo orders and material quantities.

WARNING!

Failure, improper selection or improper use of the products and/or systems described herein or of related items may cause personal injury or property damage.

This document and other information from Bosch Rexroth Corporation, Bosch Rexroth Canada Corporation, and Bosch Rexroth S.A. de C.V., including its divisions, provide products and/or system options for further investigation by users having technical expertise. It is important that you analyze all aspects of your application and review the information concerning the products or systems in Rexroth's Data Sheets. Due to the variety of operating conditions and applications for these products or systems, the user, through his own analysis and testing, is solely responsible for making the final selection of the products and systems, and assuring that all performance, safety and warning requirements are met.

The products described herein, including without limitation, product features, specifications, designs and pricing are subject to change at anytime without notice.

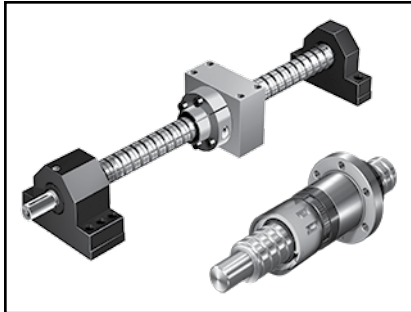
Table of Contents

Ball Screws	7
Ball Nuts	8
End Bearings / Pillow Blocks	10
Ball Transfer Units	12
Linear Bushings	13
Shafts	15
Ball Rails	17
Rail System	17
Standard Runner Blocks	19
Long Runner Blocks	21
Short Runner Blocks	23
Wide Runner Blocks	25
Wide Rail Systems	26
Accessories	27
Front Seals	27
Scraper Plates	28
Front Lube Unit	29
Mini Ball Rails	29
Roller Rails	32
Rail System	32
Standard Runner Blocks	34
Long Runner Blocks	35
EMC Electromechanical Cylinders	36
Actuators	36
Mounting Elements	38

PSK Precision Modules	40
Ball Screw Drive	40
Accessories	42
CKK Compact Modules	42
CKR Compact Modules	44
CKx Compact Modules	47
Motor Assemblies	47
Mounting Accessories	49
Spare Parts	50
EasyHandling	52
Connection Kits	52
Two Axis Assemblies	54

GoTo Focused Delivery Program: Ball Screws

Ball Screws



Rexroth Precision Ball Screw Assemblies provide technical designers with diverse solutions for positioning and transport tasks with driven screws or also with driven nuts. Rexroth Ball Screw Assemblies available in the GoTo program are available in sizes 12mm-40mm, T5 accuracy ($\pm 0.023/300\text{mm}$), clearance and preloaded configurations.

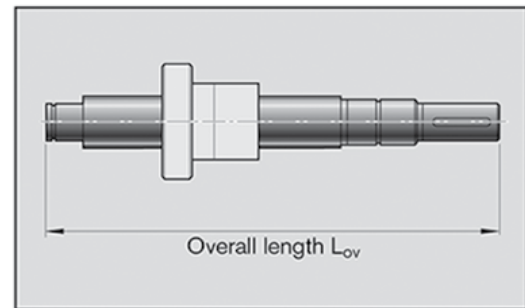
For complete engineering and design information: **GoTo** www.boschrexroth-us.com/GoToBallscrews

Features

- Complete line of Ball Screw diameter and lead combinations, ball nuts and end bearings for complete design flexibility
- Available fully machined with Bosch Rexroth’s standard end configurations (excluding Z and S options for machining of end face)

Technical Data

Diameter (mm)	Leads (mm)	Available Front Lube Unit?	Lead Accuracy	Maximum Lengths (mm)
12	5	No	T5 (0.023/300 mm)	up to 1500 mm
16	5			
	10			
20	16			
	5	Yes		up to 2500 mm
25	20			
	5			
32	10			
	25			
	32			
40	5		Yes	up to 4500 mm
	10			
	20			
	40			



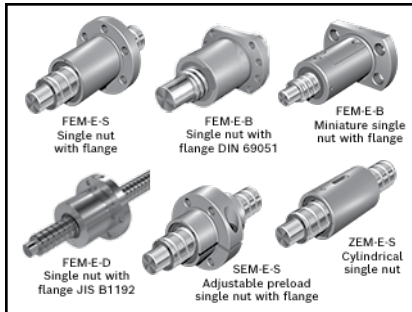
Order Definition Requirements

- Diameter
- Lead
- Lead accuracy
- Overall length
- Ball Nut type and preload
- End machining
- Lubrication: with Front Lube Unit, greased, or preserved only

Part Number	Description	Max. Quantity	Shipment (Business Days)
R153046990	Machined Ball Screw Assembly, size 12x5,T5 Accuracy	3	7 day(s)
R151004990	Machined Ball Screw Assembly, size 16x10,T5 Accuracy	3	7 day(s)
R151006990	Machined Ball Screw Assembly, size 16x16,T5 Accuracy	3	7 day(s)
R151001990	Machined Ball Screw Assembly, size 16x5,T5 Accuracy	3	7 day(s)
R151017990	Machined Ball Screw Assembly, size 20x20,T5 Accuracy	3	7 day(s)
R151011990	Machined Ball Screw Assembly, size 20x5,T5 Accuracy	3	7 day(s)
R151024990	Machined Ball Screw Assembly, size 25x10,T5 Accuracy	3	7 day(s)
R151028990	Machined Ball Screw Assembly, size 25x25,T5 Accuracy	3	7 day(s)
R151021990	Machined Ball Screw Assembly, size 25x5,T5 Accuracy	3	7 day(s)
R151034990	Machined Ball Screw Assembly, size 32x10,T5 Accuracy	3	7 day(s)
R151037990	Machined Ball Screw Assembly, size 32x20,T5 Accuracy	3	7 day(s)
R151039990	Machined Ball Screw Assembly, size 32x32,T5 Accuracy	3	7 day(s)
R151031990	Machined Ball Screw Assembly, size 32x5,T5 Accuracy	3	7 day(s)
R151044990	Machined Ball Screw Assembly, size 40x10,T5 Accuracy	3	7 day(s)
R151047990	Machined Ball Screw Assembly, size 40x20,T5 Accuracy	3	7 day(s)
R151049990	Machined Ball Screw Assembly, size 40x40 ,T5 Accuracy	3	7 day(s)
R151041990	Machined Ball Screw Assembly, size 40x5,T5 Accuracy	3	7 day(s)

GoTo Focused Delivery Program: Ball Nuts

Ball Nuts



Rexroth precision ball nuts are available in a variety of DIN sizes and styles offering a solution to any screw driven application. The smooth operating designs have no protruding parts and are very easily mountable. Ball nuts sold individually are available without preload.

For complete engineering and design information: **GoTo** www.boschrexroth-us.com/GoToBallnuts

Features

- Smooth, quiet and consistent motion with the Rexroth internal recirculation system
- Capable of high speeds and acceleration rates
- High dynamic load capability
- Effective full contact sealing
- Available in preload (when provided as an assembly) or clearance configurations

Technical Data

FEM-E-S & FEM-E-B Ball Nuts								
Diameters	Leads							
	5	10	16	20	25	32	40	
	12							
	16							
	20							
	25							
	32							
	40							

FEM-E-B Ball Nuts		
Diameters	Leads	
	5	10
	12	

SEM-E-S Ball Nuts				
Diameters	Leads			
	5	20	25	
	16			
	20			
	25			
	32			
	40			

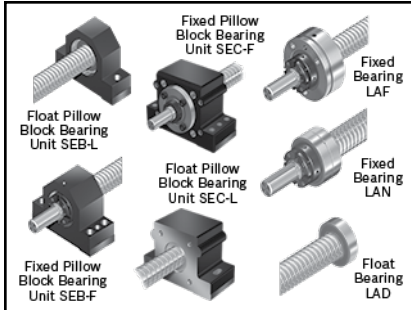
ZEM-E-S Ball Nuts			
Diameters	Leads		
	5	10	20
	20		
25			

 Ball nuts available in the GoTo Program

Part Number	Description	Max. Quantity	Shipment (Business Days)
R153246006	FEMEB Ball nut 12x5	3	1 day(s)
R150201063	FEMEB Ball nut 16x5	3	1 day(s)
R150204083	FEMEB Ball nut 16x10	3	1 day(s)
R150206063	FEMEB Ball nut 16x16	3	1 day(s)
R150211083	FEMEB Ball nut 20x5	3	1 day(s)
R150217063	FEMEB Ball nut 20x20	3	1 day(s)
R150221083	FEMEB Ball nut 25x5	3	1 day(s)
R150224083	FEMEB Ball nut 25x10	3	1 day(s)
R150228063	FEMEB Ball nut 25x25	3	1 day(s)
R150231083	FEMEB Ball nut 32x5	3	1 day(s)
R150234084	FEMEB Ball nut 32x10	3	1 day(s)
R150237063	FEMEB Ball nut 32x20	3	1 day(s)
R150239063	FEMEB Ball nut 32x32	3	1 day(s)
R150241084	FEMEB Ball nut 40x5	2	1 day(s)
R150244083	FEMEB Ball nut 40x10	3	1 day(s)
R150247083	FEMEB Ball nut 40x20	3	1 day(s)
R150249063	FEMEB Ball nut 40x40	3	1 day(s)
R153246023	FEMES Ball nut 12x5	3	1 day(s)
R151204013	FEMES Ball nut 16x10	3	1 day(s)
R151206013	FEMES Ball nut 16x16	3	1 day(s)
R151201023	FEMES Ball nut 16x5	3	1 day(s)
R151217013	FEMES Ball nut 20x20	3	1 day(s)
R151211013	FEMES Ball nut 20x5	3	1 day(s)
R151224013	FEMES Ball nut 25x10	3	1 day(s)
R151228013	FEMES Ball nut 25x25	3	1 day(s)
R151221013	FEMES Ball nut 25x5	3	1 day(s)
R151234013	FEMES Ball nut 32x10	3	1 day(s)
R151237013	FEMES Ball nut 32x20	3	1 day(s)
R151239013	FEMES Ball nut 32x32	3	1 day(s)
R151231013	FEMES Ball nut 32x5	3	1 day(s)
R151244013	FEMES Ball nut 40x10	3	1 day(s)
R151247013	FEMES Ball nut 40x20	3	1 day(s)
R151249013	FEMES Ball nut 40x40	3	1 day(s)
R151241013	FEMES Ball nut 40x5	3	1 day(s)
R151201024	SEM-E-S Ball nut 16X5RX3-4	3	1 day(s)
R151211014	SEM-E-S Ball nut 20X5RX3-4	3	1 day(s)
R151221014	SEMES Ball Nut 25x5	3	1 day(s)
R151231014	SEMES Ball Nut 32x5	3	1 day(s)
R151247014	SEMES Ball Nut 40x20	3	1 day(s)
R151241014	SEMES Ball Nut 40x5	3	1 day(s)
R151217012	ZEMES Ball Nut 20x20	3	1 day(s)
R151224012	ZEMES Ball Nut 25x10	3	1 day(s)
R151221012	ZEMES Ball Nut 25x5	3	1 day(s)

GoTo Focused Delivery Program: End Bearings / Pillow Blocks

End Bearings / Pillow Blocks



Rexroth precision ball screw assemblies are available with GoTo steel pillow blocks or bearing units complete with matching slotted nuts. These enable easy installation due to the variable fixture option and reference edges as well as the use of pre-machined pin holes that provide increased mounting accuracy.

For complete engineering and design information: **GoTo** www.boschrexroth-us.com/GoToPillowblocks

Features

- Easy installation due to variable fixture options, along with reference edges
- High axial load capacity with precision angular contact bearings
- Available from stock in variety of sizes
- Effective full contact sealing

Technical Data

Ball Screw Pillow Block Bearing Units

Ball Screw Size	SEB-F (Fixed) Load Ratings		SEB-L (Float) Load Ratings		SEC-F (Fixed) Load Ratings		SEC-L (Float) Load Ratings	
	dyn. C (N)	stat C ₀ (N)	dyn. C (N)	stat C ₀ (N)	dyn. C (N)	stat C ₀ (N)	dyn. C (N)	stat C ₀ (N)
d ₀ x P								
12x5/10	6,900	8,500	2,450	900	—	—	—	—
16x5/10/16	13,400	18,800	6,000	2,240	—	—	—	—
20x5/20 (12 mm ID)	17,000	24,700	6,950	2,650	17,000	24,700	7,800	3,250
25x5/10/25	18,800	31,000	9,500	4,150	—	—	—	—
32x5/10/20/32 (20 mm ID)	26,000	47,000	12,700	5,700	26,000	47,000	12,700	5,700
40x5	29,000	64,000	19,300	9,800	—	—	—	—
40x10/20/40	44,500	111,000	19,300	9,800	—	—	—	—

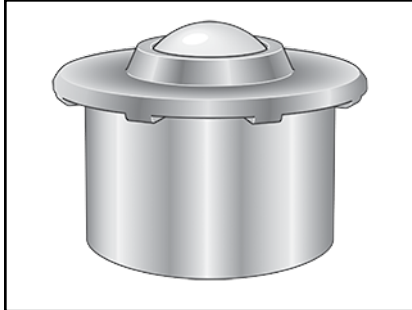
Ball Screw Support Bearings

Ball Screw Size	LAF (Fixed) Load Ratings		LAN (Fixed) Load Ratings		LAD (Float) Load Ratings	
	dyn. C (N)	stat C ₀ (N)	dyn. C (N)	stat C ₀ (N)	dyn. C (N)	stat C ₀ (N)
d ₀ x P						
12x5/10	—	—	6,900	8,500	2,450	900
16x5/10/16	—	—	13,400	18,800	6,000	2,240
20x5/20 (12 mm ID)	17,000	24,700	17,000	24,700	—	—
20x5/20 (15 mm ID)	—	—	—	—	7,800	3,250
25x5/10/25	18,800	31,000	18,800	31,000	9,500	4,150
32x5/10/20/32 (20 mm ID)	26,000	47,000	26,000	47,000	12,700	5,700
32x5/10/20/32 (25 mm ID)	—	—	—	—	14,300	6,950
40x5	—	—	—	—	19,300	9,800
40x10/20/40	44,500	111,000	44,500	111,000	19,300	9,800

Part Number	Description	Max. Quantity	Shipment (Business Days)
R159060600	Bearing LAD 12x5/10	3	1 day(s)
R159061000	Bearing LAD 16x5/10/16	2	1 day(s)
R159061500	Bearing LAD 20x5/20 (15mm ID)	2	1 day(s)
R159061700	Bearing LAD 25x5/10/25	3	1 day(s)
R159062000	Bearing LAD 32x5/10/20/32 (20mm ID)	3	1 day(s)
R159062500	Bearing LAD 32x5/10/20/32 (25mm ID)	3	1 day(s)
R159063000	Bearing LAD 40x5/10/20/40	3	1 day(s)
R159001200	Bearing LAF 20x5/20	3	1 day(s)
R159001730	Bearing LAF 25x5/10/25	3	1 day(s)
R159002030	Bearing LAF 32x5/10/20/32	3	1 day(s)
R159032530	Bearing LAF 40x10/20/40	3	1 day(s)
R159010600	Bearing LAN 12x5/10	3	1 day(s)
R159011000	Bearing LAN 16x5/10/16	3	1 day(s)
R159011200	Bearing LAN 20x5/20	3	1 day(s)
R159011730	Bearing LAN 25x5/10/25	3	1 day(s)
R159012030	Bearing LAN 32x5/10/20/32	3	1 day(s)
R159022530	Bearing LAN 40x10/20/40	3	1 day(s)
R159110620	Pillow Block SEB-F 12x5/10	3	1 day(s)
R159111020	Pillow Block SEB-F 16x5/10/16	3	1 day(s)
R159111220	Pillow Block SEB-F 20x5/20	3	1 day(s)
R159111730	Pillow Block SEB-F 25x5/10/25 NMA Locknut	3	1 day(s)
R159111720	Pillow Block SEB-F 25x5/10/25 NMZ Locknut	3	1 day(s)
R159112030	Pillow Block SEB-F 32x5/10/20/32 NMA Locknut	3	1 day(s)
R159112020	Pillow Block SEB-F 32x5/10/20/32 NMZ Locknut	3	1 day(s)
R159122530	Pillow Block SEB-F 40x10/20/40	3	1 day(s)
R159113030	Pillow Block SEB-F 40x5	3	1 day(s)
R159160620	Pillow Block SEB-L 12x5/10	3	1 day(s)
R159161020	Pillow Block SEB-L 16x5/10/16	3	1 day(s)
R159161220	Pillow Block SEB-L 20x5/20	3	1 day(s)
R159161720	Pillow Block SEB-L 25x5/10/25	3	1 day(s)
R159162020	Pillow Block SEB-L 32x5/10/20/32	3	1 day(s)
R159163010	Pillow Block SEB-L 40x10/20/40	3	1 day(s)
R159163020	Pillow Block SEB-L 40x5	3	1 day(s)
R159401200	Pillow Block SEC-F 20x5/20	3	1 day(s)
R159402000	Pillow Block SEC-F 32x5/10/20/32	3	1 day(s)
R159461500	Pillow Block SEC-L 20x5/20	3	1 day(s)
R159462000	Pillow Block SEC-L 32x5/10/20/32	3	1 day(s)

GoTo Focused Delivery Program: Ball Transfer Units

Ball Transfer Units



Rexroth Ball Transfer Units make light work of shifting, rotating and directing unit loads. They have proven extremely valuable as integral parts of conveyor systems, feed devices, and machining and packaging equipment. Rexroth Ball Transfer Units with Galvanized cover and housing are available in the GoTo program with ball diameter sizes from 8 to 45 mm.

For complete engineering and design information: **GoTo** www.boschrexroth-us.com/GoToBallTransfer

Features

- Easy mounting and extraction
- Precise rolling and full load bearing capability in any mounting orientation
- Smooth running
- Conveying speed up to 2 m/sec in all types
- Consistently high quality

Technical Data

Ball Diameter Size	Load Capacity C (N)
8	100
12	250
15	500
22	1300
30	2500
45	6000

Part Number	Description	Max. Quantity	Shipment (Business Days)
R053511510	Ball Transfer Units with Reinforced Sheet Steel Housing, 15mm	50	1 day(s)
R053011210	Ball Transfer Units with Sheet Steel Housing, 12mm	25	1 day(s)
R053011510	Ball Transfer Units with Sheet Steel Housing, 15mm	50	1 day(s)
R053012210	Ball Transfer Units with Sheet Steel Housing, 22mm	50	1 day(s)
R053013010	Ball Transfer Units with Sheet Steel Housing, 30mm	15	1 day(s)
R053014510	Ball Transfer Units with Sheet Steel Housing, 45mm	15	1 day(s)
R053010810	Ball Transfer Units with Sheet Steel Housing, 8mm	25	1 day(s)
R053371200	Ball Transfer Units with Solid Steel Housing, no collar, 12mm	50	1 day(s)
R053612210	Ball Transfer Units with Spring Clip, 22mm	40	1 day(s)

GoTo Focused Delivery Program: Linear Bushings

Linear Bushings



Bosch Rexroth is the global leader in metric linear bushings. Offered in a wide range of standard bearing housings, mountings, seals, shaft supports, and end finishes, our products can be interchanged with those of other major manufacturers.

For complete engineering and design information: **GoTo** www.boschrexroth-us.com/GoToBushings

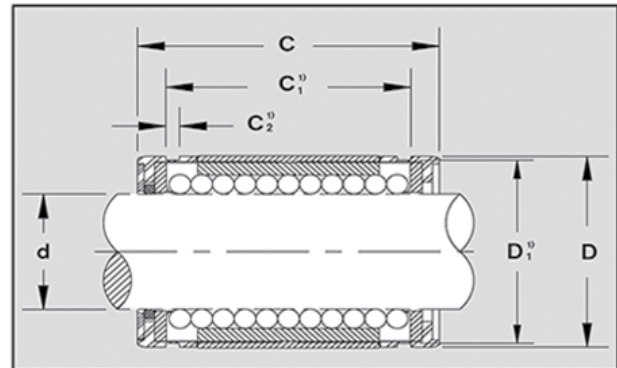
Features

- Small overall dimensions for especially compact construction
- Integrated metal retainer rings
- Integrated seals, external seals or without seals

Technical Data

Dimensions: Metric Bushings (mm) Standard and Super Series

Bore/d	D	C	C ₁ H13	C ₂	D ₁	
					Standard	Super
8	16	25	16.2	1.10	14.7	—
12	22	32	22.6	1.30	20.5	21.0
16	26	36	24.6	1.30	24.9	24.9
20	32	45	31.2	1.60	30.5	30.5
25	40	58	43.7	1.85	38.5	38.5
30	47	68	51.7	1.85	44.5	44.5
40	62	80	60.3	2.15	58.0	58.5
50	75	100	77.3	2.65	—	71.5



Note: C₁, C₂ and D refer to the snap ring groove

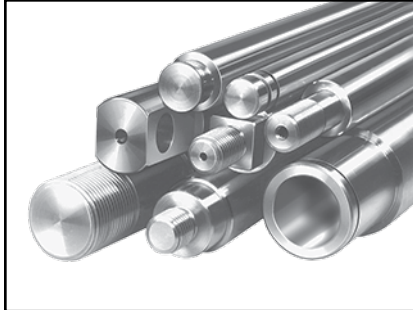
Dimensions: Metric Bushing (mm) Compact Series

Bore/d	D	C
12	19	28
16	24	30
20	28	30
25	35	40
30	40	50
40	52	60
50	62	70

Part Number	Description	Max. Quantity	Shipment (Business Days)
R065821240	Compact 12mm	20	1 day(s)
R065821640	Compact 16mm	20	1 day(s)
R065822040	Compact 20mm	20	1 day(s)
R065822540	Compact 25mm	20	1 day(s)
R065823040	Compact 30mm	20	1 day(s)
R065824040	Compact 40mm	20	1 day(s)
R065825040	Compact 50mm	20	1 day(s)
R061201210	Standard, adjustable 12mm, w/ two seals	20	1 day(s)
R061201610	Standard, adjustable 16mm, w/ two seals	20	1 day(s)
R060201210	Standard, closed 12mm	20	1 day(s)
R060201610	Standard, closed 16mm	20	1 day(s)
R060202010	Standard, closed 20mm	20	1 day(s)
R060202510	Standard, closed 25mm	20	1 day(s)
R060203010	Standard, closed 30mm	20	1 day(s)
R060204010	Standard, closed 40mm	20	1 day(s)
R060230810	Standard, closed 8mm	20	1 day(s)
R067021240	Super, closed 12mm	20	1 day(s)
R067021640	Super, closed 16mm	20	1 day(s)
R067022040	Super, closed 20mm	20	1 day(s)
R067022540	Super, closed 25mm	20	1 day(s)
R067023040	Super, closed 30mm	20	1 day(s)
R067024040	Super, closed 40mm	20	1 day(s)
R067025040	Super, closed 50mm	10	1 day(s)

GoTo Focused Delivery Program: Shafts

Shafts



Rexroth offers cut-to-length shafts. The shafting can be used as guides for linear bushings or individually as rollers, pistons or axles.

For complete engineering and design information: **GoTo** www.boschrexroth-us.com/GoToShafts

Features

- Induction hardened and ground
- Available in various tolerances (GoTo Program: h6 only)
- With chamfers to protect the Linear Bushing seal

Technical Data

Tolerances for steel shafts

Nominal diameter d (mm)	over to	1	3	6	10	18	30	50	80
		3	6	10	18	30	50	80	120
Diameter tolerance (μm)	h6	0 -6	0 -8	0 -9	0 -11	0 -13	0 -16	0 -19	0 -22
	h7	0 -10	0 -12	0 -15	0 -18	0 -21	0 -25	0 -30	0 -35
Roundness t_1 (μm)	h6	3	4	4	5	6	7	8	10
	h7	4	5	6	8	9	11	13	15
Taper t_2 (μm)	h6	4	5	6	8	9	11	13	15
	h7	6	8	9	11	13	16	19	22
Straightness t_3 ($\mu\text{m}/\text{m}$)		150	150	120	100	100	100	100	100
Surface roughness (Ra) (μm)		0.32	0.32	0.32	0.32	0.32	0.32	0.32	0.32

Part Number	Description	Max. Quantity	Shipment (Business Days)
R100001600	Shaft metric 16mm	10	2 day(s)
R100002000	Shaft metric 20mm	10	2 day(s)
R100002500	Shaft metric 25mm	10	2 day(s)
R100003000	Shaft metric 30mm	10	2 day(s)
R100004000	Shaft metric 40mm	10	2 day(s)
R100005000	Shaft metric 50mm	10	2 day(s)

GoTo Focused Delivery Program: Ball Rails

Rail System



Rexroth Ball Rail Systems in the GoTo program are available in sizes 15-45 with N, H, P, and SP accuracy. Rails are cut to length, in 1mm increments. To assure your Ball Rail System can be shipped on the following day, please limit the overall length to 3900 mm.

For complete engineering and design information: **GoTo** www.boschrexroth-us.com/GoToBallrails

Features

- Optimum system rigidity in all directions with O Arrangement
- High torsional load capacity
- Available in two Top Mount configurations with Plastic Hole Plugs or with the Rail Seal for optimum contamination protection
- Offered in 1 mm increments up to 3900mm

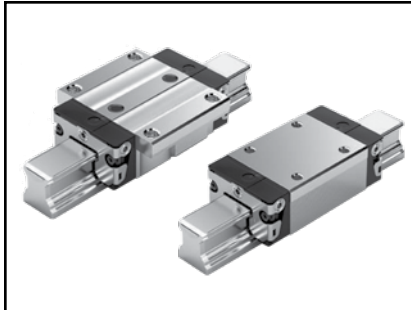
Technical Data

Size	Accuracy Class					GoTo L Max (mm)
		A2 (mm)	H2 Hole Plug Version (mm)	H2 Rail Seal (mm)	T Hole Spacing (mm)	
15	N, H, P, or SP	15	16.20	16.30	60	3900
20		20	20.55	20.75	60	
25		23	24.25	24.45	60	
30		28	28.35	28.55	80	
35		34	31.85	32.15	80	
45		45	39.85	40.15	105	

Part Number	Description	Max. Quantity	Shipment (Business Days)
R160510131	Ball Rail 15mm, with Plastic Hole Plugs, SP Accuracy	20	2 day(s)
R160510331	Ball Rail 15mm, with Plastic Hole Plugs, H Accuracy	20	2 day(s)
R160510431	Ball Rail 15mm, with Plastic Hole Plugs, N Accuracy	20	2 day(s)
R160510231	Ball Rail 15mm, with Plastic Hole Plugs, P Accuracy	20	2 day(s)
R160513331	Ball Rail 15mm, with Rail Seal and Clip Retainers, H Accuracy	20	2 day(s)
R160513431	Ball Rail 15mm, with Rail Seal and Clip Retainers, N Accuracy	20	2 day(s)
R160513231	Ball Rail 15mm, with Rail Seal and Clip Retainers, P Accuracy	20	2 day(s)
R160513131	Ball Rail 15mm, with Rail Seal and Clip Retainers, SP Accuracy	20	2 day(s)
R160580331	Ball Rail 20mm, with Plastic Hole Plugs, H Accuracy	20	2 day(s)
R160580431	Ball Rail 20mm, with Plastic Hole Plugs, N Accuracy	20	2 day(s)
R160580231	Ball Rail 20mm, with Plastic Hole Plugs, P Accuracy	20	2 day(s)
R160580131	Ball Rail 20mm, with Plastic Hole Plugs, SP Accuracy	20	2 day(s)
R160583331	Ball Rail 20mm, with Rail Seal and Clip Retainers, H Accuracy	20	2 day(s)
R160583431	Ball Rail 20mm, with Rail Seal and Clip Retainers, N Accuracy	20	2 day(s)
R160583231	Ball Rail 20mm, with Rail Seal and Clip Retainers, P Accuracy	20	2 day(s)
R160583131	Ball Rail 20mm, with Rail Seal and Clip Retainers, SP Accuracy	20	2 day(s)
R160520331	Ball Rail 25mm, with Plastic Hole Plugs, H Accuracy	20	2 day(s)
R160520431	Ball Rail 25mm, with Plastic Hole Plugs, N Accuracy	20	2 day(s)
R160520231	Ball Rail 25mm, with Plastic Hole Plugs, P Accuracy	20	2 day(s)
R160520131	Ball Rail 25mm, with Plastic Hole Plugs, SP Accuracy	20	2 day(s)
R160523331	Ball Rail 25mm, with Rail Seal and Clip Retainers, H Accuracy	20	2 day(s)
R160523431	Ball Rail 25mm, with Rail Seal and Clip Retainers, N Accuracy	20	2 day(s)
R160523231	Ball Rail 25mm, with Rail Seal and Clip Retainers, P Accuracy	20	2 day(s)
R160523131	Ball Rail 25mm, with Rail Seal and Clip Retainers, SP Accuracy	20	2 day(s)
R160570331	Ball Rail 30mm, with Plastic Hole Plugs, H Accuracy	20	2 day(s)
R160570431	Ball Rail 30mm, with Plastic Hole Plugs, N Accuracy	20	2 day(s)
R160570231	Ball Rail 30mm, with Plastic Hole Plugs, P Accuracy	20	2 day(s)
R160570131	Ball Rail 30mm, with Plastic Hole Plugs, SP Accuracy	20	2 day(s)
R160573331	Ball Rail 30mm, with Rail Seal and Clip Retainers, H Accuracy	20	2 day(s)
R160573431	Ball Rail 30mm, with Rail Seal and Clip Retainers, N Accuracy	20	2 day(s)
R160573231	Ball Rail 30mm, with Rail Seal and Clip Retainers, P Accuracy	20	2 day(s)
R160573131	Ball Rail 30mm, with Rail Seal and Clip Retainers, SP Accuracy	20	2 day(s)
R160530331	Ball Rail 35mm, with Plastic Hole Plugs, H Accuracy	20	2 day(s)
R160530431	Ball Rail 35mm, with Plastic Hole Plugs, N Accuracy	20	2 day(s)
R160530231	Ball Rail 35mm, with Plastic Hole Plugs, P Accuracy	20	2 day(s)
R160530131	Ball Rail 35mm, with Plastic Hole Plugs, SP Accuracy	20	2 day(s)
R160533361	Ball Rail 35mm, with Rail Seal and Clip Retainers, H Accuracy	20	2 day(s)
R160533461	Ball Rail 35mm, with Rail Seal and Clip Retainers, N Accuracy	20	2 day(s)
R160533261	Ball Rail 35mm, with Rail Seal and Clip Retainers, P Accuracy	20	2 day(s)
R160533161	Ball Rail 35mm, with Rail Seal and Clip Retainers, SP Accuracy	20	2 day(s)
R160540331	Ball Rail 45mm, with Plastic Hole Plugs, H Accuracy	20	2 day(s)
R160540431	Ball Rail 45mm, with Plastic Hole Plugs, N Accuracy	20	2 day(s)
R160540231	Ball Rail 45mm, with Plastic Hole Plugs, P Accuracy	20	2 day(s)
R160540131	Ball Rail 45mm, with Plastic Hole Plugs, SP Accuracy	20	2 day(s)
R160543361	Ball Rail 45mm, with Rail Seal and Clip Retainers, H Accuracy	20	2 day(s)
R160543461	Ball Rail 45mm, with Rail Seal and Clip Retainers, N Accuracy	20	2 day(s)
R160543261	Ball Rail 45mm, with Rail Seal and Clip Retainers, P Accuracy	20	2 day(s)
R160543161	Ball Rail 45mm, with Rail Seal and Clip Retainers, SP Accuracy	20	2 day(s)

GoTo Focused Delivery Program: Ball Rails

Standard Runner Blocks



Rexroth Ball Rail Systems in the GoTo program are available in sizes 15-45, N or H accuracy, with standard length flanged and slimline runner blocks in clearance, 2% and 8% preload versions. Rails are cut to length, in 1 mm increments.

For complete engineering and design information: **GoTo** www.boschrexroth-us.com/GoToBallrails

Features

- Excellent dynamic characteristics: v up to 5 m/s; amax up to 500 m/s²
- Minimum quantity lubrication system with integrated reservoir for oil lubrication
- Limitless interchangeability due to standardized guide rails with or without cover strip, for all runner block versions
- Comprehensive range of accessories
- Integral, all-round sealing

Technical Data

Size	Accuracy Class ²	Preload ¹	Load capacities (N)		Moments (Nm)			
			C dyn.	C ₀ stat.	M _t dyn.	M _{t0} stat.	M _L dyn.	M _{L0} stat.
15	N or H	Clearance, C1 or C2	9,860	12,700	95	120	68	87
20			23,400	29,800	300	380	200	260
25			28,600	35,900	410	510	290	360
30			36,500	48,100	630	830	440	580
35			51,800	80,900	1,110	1,740	720	1,130
45			86,400	132,000	2,330	3,560	1,540	2,350

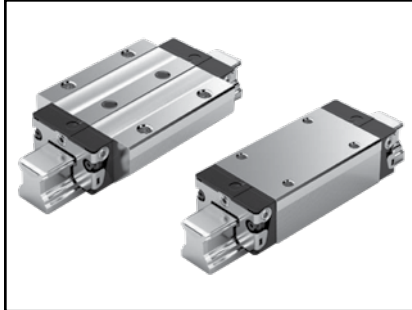
1) All preload options are not available for every size and style. Please refer to the part number section for complete details.

2) All accuracy class options are not available for every size and style. Please refer to the part number section for complete details.

Part Number	Description	Max. Quantity	Shipment (Business Days)
R165111320	Standard Flanged Runner Block 15, C1 Preload, H Accuracy	20	1 day(s)
R165111420	Standard Flanged Runner Block 15, C1 Preload, N Accuracy	50	1 day(s)
R165112320	Standard Flanged Runner Block 15, C2 Preload, H Accuracy	20	1 day(s)
R165119420	Standard Flanged Runner Block 15, Clearance, N Accuracy	50	1 day(s)
R165181320	Standard Flanged Runner Block 20, C1 Preload, H Accuracy	20	1 day(s)
R165181420	Standard Flanged Runner Block 20, C1 Preload, N Accuracy	50	1 day(s)
R165182320	Standard Flanged Runner Block 20, C2 Preload, H Accuracy	8	1 day(s)
R165189420	Standard Flanged Runner Block 20, Clearance, N Accuracy	50	1 day(s)
R165121320	Standard Flanged Runner Block 25, C1 Preload, H Accuracy	20	1 day(s)
R165121420	Standard Flanged Runner Block 25, C1 Preload, N Accuracy	50	1 day(s)
R165122320	Standard Flanged Runner Block 25, C2 Preload, H Accuracy	20	1 day(s)
R165129420	Standard Flanged Runner Block 25, Clearance, N Accuracy	50	1 day(s)
R165171320	Standard Flanged Runner Block 30, C1 Preload, H Accuracy	8	1 day(s)
R165171420	Standard Flanged Runner Block 30, C1 Preload, N Accuracy	50	1 day(s)
R165172320	Standard Flanged Runner Block 30, C2 Preload, H Accuracy	20	1 day(s)
R165179420	Standard Flanged Runner Block 30, Clearance, N Accuracy	50	1 day(s)
R165131320	Standard Flanged Runner Block 35, C1 Preload, H Accuracy	20	1 day(s)
R165131420	Standard Flanged Runner Block 35, C1 Preload, N Accuracy	50	1 day(s)
R165132320	Standard Flanged Runner Block 35, C2 Preload, H Accuracy	20	1 day(s)
R165139420	Standard Flanged Runner Block 35, Clearance, N Accuracy	50	1 day(s)
R165141320	Standard Flanged Runner Block 45, C1 Preload, H Accuracy	20	1 day(s)
R165141420	Standard Flanged Runner Block 45, C1 Preload, N Accuracy	50	1 day(s)
R165142320	Standard Flanged Runner Block 45, C2 Preload, H Accuracy	8	1 day(s)
R165149420	Standard Flanged Runner Block 45, Clearance, N Accuracy	50	1 day(s)
R162211320	Standard Slimline Runner Block 15, C1 Preload, H Accuracy	20	1 day(s)
R162211420	Standard Slimline Runner Block 15, C1 Preload, N Accuracy	20	1 day(s)
R162212320	Standard Slimline Runner Block 15, C2 Preload, H Accuracy	8	1 day(s)
R162219420	Standard Slimline Runner Block 15, Clearance, N Accuracy	50	1 day(s)
R162281320	Standard Slimline Runner Block 20, C1 Preload, H Accuracy	20	1 day(s)
R162281420	Standard Slimline Runner Block 20, C1 Preload, N Accuracy	50	1 day(s)
R162282320	Standard Slimline Runner Block 20, C2 Preload, H Accuracy	8	1 day(s)
R162289420	Standard Slimline Runner Block 20, Clearance, N Accuracy	50	1 day(s)
R162221320	Standard Slimline Runner Block 25, C1 Preload, H Accuracy	20	1 day(s)
R162221420	Standard Slimline Runner Block 25, C1 Preload, N Accuracy	50	1 day(s)
R162222320	Standard Slimline Runner Block 25, C2 Preload, H Accuracy	20	1 day(s)
R162229420	Standard Slimline Runner Block 25, Clearance, N Accuracy	50	1 day(s)
R162271420	Standard Slimline Runner Block 30, C1 Preload, N Accuracy	50	1 day(s)
R162279420	Standard Slimline Runner Block 30, Clearance, N Accuracy	50	1 day(s)
R162231320	Standard Slimline Runner Block 35, C1 Preload, H Accuracy	20	1 day(s)
R162231420	Standard Slimline Runner Block 35, C1 Preload, N Accuracy	50	1 day(s)
R162232320	Standard Slimline Runner Block 35, C2 Preload, H Accuracy	8	1 day(s)
R162239420	Standard Slimline Runner Block 35, Clearance, N Accuracy	50	1 day(s)
R162241420	Standard Slimline Runner Block 45, C1 Preload, N Accuracy	8	1 day(s)
R162242320	Standard Slimline Runner Block 45, C2 Preload, H Accuracy	8	1 day(s)
R162249420	Standard Slimline Runner Block 45, Clearance, N Accuracy	40	1 day(s)

GoTo Focused Delivery Program: Ball Rails

Long Runner Blocks



Rexroth Ball Rail Systems in the GoTo program are available in sizes 15-45, N or H accuracy, with long length flanged and slimline runner blocks in clearance and 2% preload versions. Rails are cut to length, in 1 mm increments. To assure your Ball Rail System can be shipped on the following day, please limit the overall length to 3900 mm and quantities to 10 rails and 20 runner blocks.

For complete engineering and design information: **GoTo** www.boschrexroth-us.com/GoToBallrails

Features

- Excellent dynamic characteristics: Vmax 5 m/s; Amax up to 500 m/s² to meet most application demands
- Long term lubrication, up to several years for less maintenance
- Unlimited interchangeability due to standardized guide rail for all runner block versions for reduced inventory
- Comprehensive range of accessories for easy customization
- Integral, all-round sealing for superior contamination protection
- Multiple lubrication ports for auto lubrication design flexibility
- Pre-lubricated for faster installation

Technical Data

Size	Accuracy Class ²	Preload ¹	Load capacities (N)		Moments (Nm)			
			C dyn.	C ₀ stat.	M _t dyn.	M _{t0} stat.	M _L dyn.	M _{L0} stat.
15	N or H	Clearance, C1 or C2	12,800	18,400	120	180	120	180
20			29,600	41,800	380	540	340	490
25			37,300	52,500	530	750	530	740
30			46,000	66,900	800	1,160	740	1,080
35			66,700	116,000	1,440	2,500	1,290	2,240
45			111,000	190,000	3,010	5,120	2,730	4,660

1) All preload options are not available for every size and style. Please refer to the part number section for complete details.

2) All accuracy class options are not available for every size and style. Please refer to the part number section for complete details.

Part Number	Description	Max. Quantity	Shipment (Business Days)
R165311420	Long Flanged Runner Block 15, C1 Preload, N Accuracy	20	1 day(s)
R165319420	Long Flanged Runner Block 15, Clearance, N Accuracy	20	1 day(s)
R165381420	Long Flanged Runner Block 20, C1 Preload, N Accuracy	20	1 day(s)
R165389420	Long Flanged Runner Block 20, Clearance, N Accuracy	8	1 day(s)
R165321420	Long Flanged Runner Block 25, C1 Preload, N Accuracy	20	1 day(s)
R165329420	Long Flanged Runner Block 25, Clearance, N Accuracy	20	1 day(s)
R165371420	Long Flanged Runner Block 30, C1 Preload, N Accuracy	20	1 day(s)
R165379420	Long Flanged Runner Block 30, Clearance, N Accuracy	20	1 day(s)
R165331420	Long Flanged Runner Block 35, C1 Preload, N Accuracy	20	1 day(s)
R165332320	Long Flanged Runner Block 35, C2 Preload, H Accuracy	20	1 day(s)
R165339420	Long Flanged Runner Block 35, Clearance, N Accuracy	20	1 day(s)
R165341420	Long Flanged Runner Block 45, C1 Preload, N Accuracy	20	1 day(s)
R165349420	Long Flanged Runner Block 45, Clearance, N Accuracy	20	1 day(s)
R162311420	Long Slimline Runner Block 15, C1 Preload, N Accuracy	20	1 day(s)
R162319420	Long Slimline Runner Block 15, Clearance, N Accuracy	20	1 day(s)
R162381420	Long Slimline Runner Block 20, C1 Preload, N Accuracy	20	1 day(s)
R162389420	Long Slimline Runner Block 20, Clearance, N Accuracy	20	1 day(s)
R162321420	Long Slimline Runner Block 25, C1 Preload, N Accuracy	20	1 day(s)
R162322420	Long Slimline Runner Block 25, C2 Preload, N Accuracy	20	1 day(s)
R162329420	Long Slimline Runner Block 25, Clearance, N Accuracy	20	1 day(s)
R162371320	Long Slimline Runner Block 30, C1 Preload, H Accuracy	20	1 day(s)
R162371420	Long Slimline Runner Block 30, C1 Preload, N Accuracy	20	1 day(s)
R162379420	Long Slimline Runner Block 30, Clearance, N Accuracy	20	1 day(s)
R162331420	Long Slimline Runner Block 35, C1 Preload, N Accuracy	20	1 day(s)
R162339420	Long Slimline Runner Block 35, Clearance, N Accuracy	20	1 day(s)
R162341420	Long Slimline Runner Block 45, C1 Preload, N Accuracy	8	1 day(s)
R162349420	Long Slimline Runner Block 45, Clearance, N Accuracy	8	1 day(s)

GoTo Focused Delivery Program: Ball Rails

Short Runner Blocks



Rexroth Ball Rail Systems in the GoTo program are available in sizes 15-35, N accuracy, with short length flanged and slimline runner blocks in clearance and 2% preload versions. Rails are cut to length, in 1 mm increments. To assure your Ball Rail System can be shipped on the following day, please limit the overall length to 3900 mm and quantities to 10 rails and 20 runner blocks.

For complete engineering and design information: **GoTo** www.boschrexroth-us.com/GoToBallrails

Features

- Excellent dynamic characteristics: Vmax 5 m/s; Amax up to 500 m/s² to meet most application demands
- Long term lubrication, up to several years for less maintenance
- Unlimited interchangeability due to standardized guide rail for all runner block versions for reduced inventory
- Comprehensive range of accessories for easy customization
- Integral, all-round sealing for superior contamination protection
- Multiple lubrication ports for auto lubrication design flexibility
- Pre-lubricated for faster installation

Technical Data

Size	Accuracy Class	Preload ¹	Load capacities (N)		Moments (Nm)			
			C dyn.	C ₀ stat.	M _t dyn.	M _{t0} stat.	M _L dyn.	M _{L0} stat.
15	N	Clearance or C1	6,720	7,340	65	71	29	32
20			15,400	16,500	200	210	83	89
25			19,800	21,200	280	300	130	140
30			25,600	28,900	440	500	200	230
35			36,600	49,300	790	1,060	340	460

1) All preload options are not available for every size and style. Please refer to the part number section for complete details.

Part Number	Description	Max. Quantity	Shipment (Business Days)
R166511420	Short Flanged Runner Block 15, C1 Preload, N Accuracy	8	1 day(s)
R166519420	Short Flanged Runner Block 15, Clearance, N Accuracy	20	1 day(s)
R166581420	Short Flanged Runner Block 20, C1 Preload, N Accuracy	8	1 day(s)
R166521420	Short Flanged Runner Block 25, C1 Preload, N Accuracy	20	1 day(s)
R166529420	Short Flanged Runner Block 25, Clearance, N Accuracy	20	1 day(s)
R166579420	Short Flanged Runner Block 30, Clearance, N Accuracy	8	1 day(s)
R166531420	Short Flanged Runner Block 35, C1 Preload, N Accuracy	8	1 day(s)
R166611420	Short Slimline Runner Block 15, C1 Preload, N Accuracy	20	1 day(s)
R166619420	Short Slimline Runner Block 15, Clearance, N Accuracy	20	1 day(s)
R166681420	Short Slimline Runner Block 20, C1 Preload, N Accuracy	20	1 day(s)
R166621420	Short Slimline Runner Block 25, C1 Preload, N Accuracy	20	1 day(s)
R166629420	Short Slimline Runner Block 25, Clearance, N Accuracy	20	1 day(s)
R166671420	Short Slimline Runner Block 30, C1 Preload, N Accuracy	20	1 day(s)
R166631420	Short Slimline Runner Block 35, C1 Preload, N Accuracy	8	1 day(s)

GoTo Focused Delivery Program: Ball Rails

Wide Runner Blocks



Rexroth Ball Rail Systems in the GoTo program are available in sizes 20/40, 25/70 and 35/90, N accuracy, with wide flanged runner blocks in clearance and 2% preload versions. Rails are cut to length, in 1 mm increments. To assure your Ball Rail System can be shipped on the following day, please limit the overall length to 3900 mm and quantities to 10 rails and 20 runner blocks.

For complete engineering and design information: **GoTo** www.boschrexroth-us.com/GoToBallrails

Features

- Extremely high torsional moment load capacity and rigidity, well suited for single rail applications
- Excellent dynamic characteristics: Vmax 5 m/s: Amax up to 500 m/s² to meet most application demands (20/40 and 25/70 only)
- Long term lubrication, up to several years for less maintenance
- Unlimited interchangeability due to standardized guide rail for all runner block versions for reduced inventory
- Comprehensive range of accessories for easy customization
- Integral, all-round sealing for superior contamination protection
- Multiple lubrication ports for auto lubrication design flexibility
- Pre-lubricated for faster installation (20/40 and 25/70 only)

Technical Data

Size	Accuracy Class	Preload	Load capacities (N)		Moments (Nm)			
			C dyn.	C ₀ stat.	M _t dyn.	M _{t0} stat.	M _L dyn.	M _{L0} stat.
20/40	N	Clearance or C1	14,900	20,600	340	470	140	190
25/70			36,200	50,200	1,350	1,870	490	680
35/90			70,700	126,000	3,500	6,240	1,470	2,620

Part Number	Description	Max. Quantity	Shipment (Business Days)
R167151420	Wide Runner Block 20/40, C1 Preload, N Accuracy	20	1 day(s)
R167121420	Wide Runner Block 25/70, C1 Preload, N Accuracy	20	1 day(s)
R167129420	Wide Runner Block 25/70, Clearance, N Accuracy	20	1 day(s)
R167131410	Wide Runner Block 35/90, C1 Preload, N Accuracy	20	1 day(s)
R167139410	Wide Runner Block 35/90, Clearance, N Accuracy	20	1 day(s)

GoTo Focused Delivery Program: Ball Rails

Wide Rail Systems



Rexroth Wide Ball Rail Systems in the GoTo program are available in sizes 20/40, 25/70 and 35/90 with N, H, or P accuracy. Rails are cut to length, in 1 mm increments.

For complete engineering and design information: **GoTo** www.boschrexroth-us.com/GoToBallrails

Features

- Optimum system rigidity in all directions with O Arrangement
- High torsional load capacity
- Available in Top Mount configuration with Plastic Hole Plugs
- Offered in 1 mm increments up to 3900mm

Technical Data

Size	Accuracy Class	A2 (mm)	H2 Hole Plug Version (mm)			GoTo L Max (mm)
				T Hole Spacing (mm)	T3 Hole Spacing (mm)	
20/40	N, H, P	42	18.30	60	24	3900
25/70		69	23.55	80	40	
35/90		90	31.85	80	60	

Part Number	Description	Max. Quantity	Shipment (Business Days)
R167550331	Wide Rail 20/40mm, with Plastic Hole Plugs, H Accuracy	10	2 day(s)
R167550431	Wide Rail 20/40mm, with Plastic Hole Plugs, N Accuracy	10	2 day(s)
R167550231	Wide Rail 20/40mm, with Plastic Hole Plugs, P Accuracy	10	2 day(s)
R167520331	Wide Rail 25/70mm, with Plastic Hole Plugs, H Accuracy	10	2 day(s)
R167520431	Wide Rail 25/70mm, with Plastic Hole Plugs, N Accuracy	10	2 day(s)
R167520231	Wide Rail 25/70mm, with Plastic Hole Plugs, P Accuracy	10	2 day(s)
R167530331	Wide Rail 35/90mm, with Plastic Hole Plugs, H Accuracy	10	2 day(s)
R167530431	Wide Rail 35/90mm, with Plastic Hole Plugs, N Accuracy	10	2 day(s)
R167530231	Wide Rail 35/90mm, with Plastic Hole Plugs, P Accuracy	10	2 day(s)

GoTo Focused Delivery Program: Ball Rails

Accessories - Front Seals



Made from corrosion-resistant steel with a polymer seal, Rexroth Front Seals protect Ball Rail Runner Blocks against harmful contamination. Front Seals in the GoTo program are available for sizes 15-45.

General Notes - Lubrication

For end face lubrication with the two-piece end seal, please consider the minimum screw-in depth of the standard lubrication fitting. Lubrication from the side will not require additional consideration.

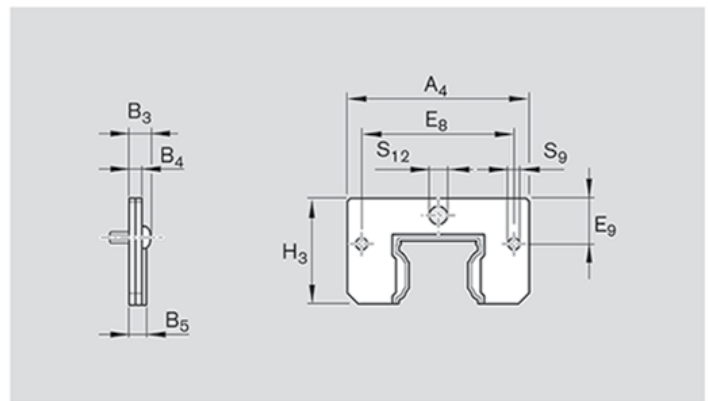
For complete engineering and design information: **GoTo** www.boschrexroth-us.com/GoToBallrails

Features

- Unsurpassed contamination protection when combined with standard Rexroth sealing
- Easily installed or replaced in the field
- All mounting hardware included
- Add to one or both sides as needed

Technical Data

Size	Front Seal Dimensions (mm)								
	A ₄	B ₃	B ₄	B ₅	E ₈	E ₉	H ₃	S ₉	S ₁₂
15	32.0	4.3	2.2	3.0	24.55	6.30	19.0	3.5	4.3
20	42.0	4.9	2.5	3.3	32.40	6.80	24.3	4.0	5.1
25	47.0	4.9	2.5	3.3	38.30	11.00	29.0	4.0	7.0
30	59.0	5.7	3.3	4.5	48.40	14.10	34.5	4.0	7.0
35	69.0	5.7	3.3	4.5	58.00	17.00	39.5	4.0	7.0
45	85.0	7.1	4.0	5.5	69.80	20.50	49.5	5.0	7.0
20/40	99.0	4.9	2.5	3.3	35.00	4.30	28.6	4.0	7.3



Part Number	Description	Max. Quantity	Shipment (Business Days)
R161912120	Front Seal 15	40	1 day(s)
R161982120	Front Seal 20	40	1 day(s)
R161922130	Front Seal 25	40	1 day(s)
R161922220	Front Seal 25/70	40	1 day(s)
R161972130	Front Seal 30	40	1 day(s)
R161932130	Front Seal 35	40	1 day(s)
R161942130	Front Seal 45	20	1 day(s)

GoTo Focused Delivery Program: Ball Rails

Accessories - Scraper Plates



Made from corrosion-resistant steel, Rexroth Scraper Plates protect Ball Rail Runner Blocks against harmful contamination. Scraper plates in the GoTo program are available for sizes 25-45.

General Notes - Lubrication

For end face lubrication with the scraper plate, please consider the minimum screw-in depth of the standard lubrication fitting. Lubrication from the side will not require additional consideration.

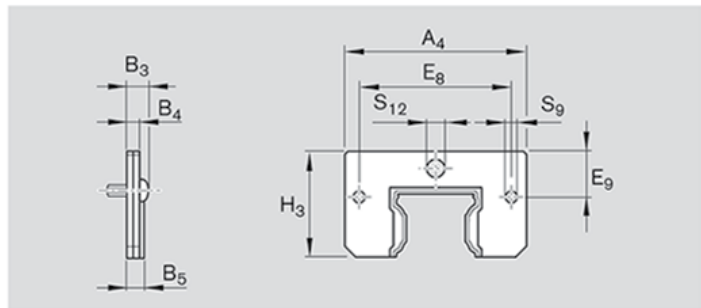
For complete engineering and design information: **GoTo** www.boschrexroth-us.com/GoToBallrails

Features

- Unsurpassed contamination protection when combined with standard Rexroth sealing
- High Precision - Maximum gap from 0.1 to 0.3 mm
- All mounting hardware and instructions are included
- Add to one or both sides as needed

Technical Data

Size	Scraper Plate Dimensions (mm)							
	A ₄	B ₃	B ₄	E ₈	E ₉	H ₃	S ₉	S ₁₂
25	47.0	3.4	1.0	38.3	11.0	29.5	4.0	7.0
30	59.0	3.4	1.0	48.4	14.1	34.7	4.0	7.0
35	69.0	3.4	1.0	58.0	17.0	40.1	4.0	7.0
45	85.0	5.1	2.0	69.8	20.5	50.0	5.0	7.0



Part Number	Description	Max. Quantity	Shipment (Business Days)
R162021030	Scraper Plate 25, with or without coverstrip	80	1 day(s)
R162071030	Scraper Plate 30, with or without coverstrip	20	1 day(s)
R162031040	Scraper Plate 35, with coverstrip	80	1 day(s)
R162031030	Scraper Plate 35, without coverstrip	20	1 day(s)
R162041040	Scraper Plate 45, with coverstrip	20	1 day(s)
R162041030	Scraper Plate 45, without coverstrip	20	1 day(s)

GoTo Focused Delivery Program: Ball Rails

Accessories - Front Lube Unit



Rexroth Front Lube Units are specially designed to distribute the right amount of lubricant only where needed: directly to the raceways and to the guide rail top surface. Front Lube Units in the GoTo program are available for sizes 15-35.

General Notes - Lubrication

The lubrication port on the face of the front lube unit is used as a pass-through for grease when re-lubricating the runner block. Use the side lube port of the front lube unit when refilling the front lube unit with oil.

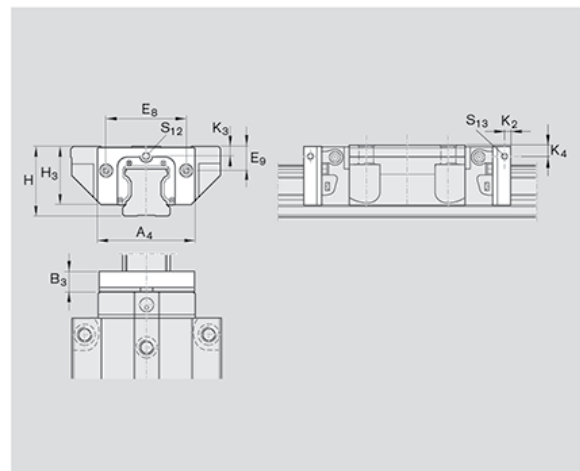
For complete engineering and design information: **GoTo** www.boschrexroth-us.com/GoToBallrails

Features

- Up to 10,000 km travel without re-lubrication
- Prefilled with Mobil SHC 639 oil
- No lube lines required
- Can be refilled in the field
- All mounting hardware and instructions are included
- Add to one or both sides as needed

Technical Data

Size	Front Lube Unit Dimensions (mm)									
	A ₄	B ₃	E ₈	E ₉	H	H ₃	K ₂	K ₃ /K ₄	S ₁₂	S ₁₃
15	31.8	11.5	24.55	6.7 10.7 ¹	24 28 ¹	19.4 23.4 ¹	5	3.35 7.35 ¹	M3	M3
20	43.0	12.5	32.5	7.3	30	24.9	5	3.7	M3	M3
25	47.0	13.0	38.3	11.5 15.5 ¹	36 40 ¹	29.3 33.3 ¹	5	5.5 9.5 ¹	M6	M6
30	58.5	14.5	48.4	14.6 17.6 ¹	42 45 ¹	35.05 38.05 ¹	6	6.05 9.05 ¹	M6	M6
35	69.0	16.0	58.0	17.35 24.35 ¹	48 55 ¹	39.85 46.85 ¹	6	6.9 13.9 ¹	M6	M6
45	84.0	17.0	69.8	20.9 30.9 ¹	60 70 ¹	49.8 59.8 ¹	7	8.2 18.2 ¹	M6	M6

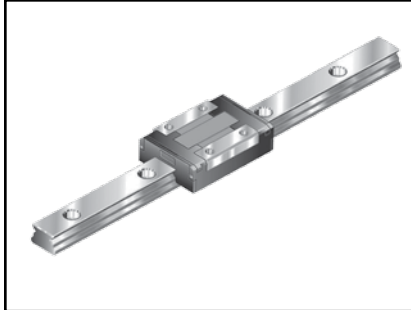


1) For slimline high runner blocks only.

Part Number	Description	Max. Quantity	Shipment (Business Days)
R161912500	Lubricating Unit 15	20	1 day(s)
R161982500	Lubricating Unit 20	20	1 day(s)
R161922500	Lubricating Unit 25	20	1 day(s)
R161972500	Lubricating Unit 30	20	1 day(s)
R161932500	Lubricating Unit 35	20	1 day(s)
R161942500	Lubricating Unit 45	20	1 day(s)

GoTo Focused Delivery Program: Mini Ball Rails

Mini Ball Rails



Miniature Ball Rail Systems were developed specifically for high-precision applications, such as optical or electronic data processing systems, which require rolling element linear guideways with extremely compact dimensions and high load capacity.

For complete engineering and design information: **GoTo** www.boschrexroth-us.com/GoToMinis

Features

- High load capacity in all directions of load application, including moments about all axes, due to construction with the largest possible ball size
- Lubrication access from either front or side faces, dependent upon size
- Optional stainless steel cover strip
- All steel parts of the runner block and guide rail are made of rust and acid resistant material similar to ISO 683-17 / EN 10088
- Accuracy class available in the GoTo Program: H

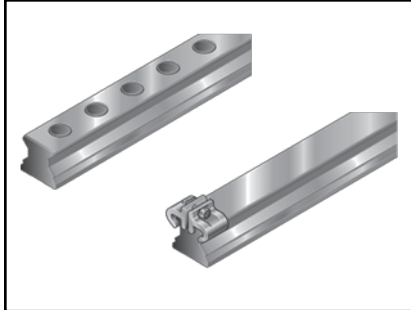
Technical Data

Size	Preload	Accuracy Class	Load capacities (N)		Moments (Nm)			
			C dyn.	C ₀ stat.	M _t dyn.	M _{t0} stat.	M _L dyn.	M _{L0} stat.
7	CLR/Preload	N or H	860	1,400	3.1	5.1	1.9	3.2
9			1,180	2,100	5.4	9.6	3.6	6.4
12			2,310	3,470	13.7	20.6	7.9	11.8
15			4,200	6,260	31.2	46.3	18.3	27.0

Part Number	Description	Max. Quantity	Shipment (Business Days)
R044520331	Mini Rail 12mm, H Accuracy	10	2 day(s)
R044520431	Mini Rail 12mm, N Accuracy	10	2 day(s)
R044550331	Mini Rail 15mm, H Accuracy	10	2 day(s)
R044550431	Mini Rail 15mm, N Accuracy	10	2 day(s)
R044570431	Mini Rail 7mm, N Accuracy	10	2 day(s)
R044580331	Mini Rail 9mm, H Accuracy	10	2 day(s)
R044580431	Mini Rail 9mm, N Accuracy	10	2 day(s)
R044570331	Mini rails 7mm, H accuracy	10	2 day(s)
R044229301	Mini Runner Block 12, Clearance, H Accuracy	10	1 day(s)
R044221301	Mini Runner Block 12, Preload, H Accuracy	10	1 day(s)
R044259301	Mini Runner Block 15, Clearance, H Accuracy	10	1 day(s)
R044251301	Mini Runner Block 15, Preload, H Accuracy	10	1 day(s)
R044279301	Mini Runner Block 7, Clearance, H Accuracy	10	1 day(s)
R044271301	Mini Runner Block 7, Preload, H Accuracy	10	1 day(s)
R044289301	Mini Runner Block 9, Clearance, H Accuracy	10	1 day(s)
R044281301	Mini Runner Block 9, Preload, H Accuracy	10	1 day(s)

GoTo Focused Delivery Program: Roller Rails

Rail System



Rexroth Roller Rail Systems in the GoTo program are available in sizes 25-65 with H, P, and SP accuracies. Rails are cut to length, in 1 mm increments. To assure your Roller Rail System can be shipped on the following day, please limit the overall length to 3900 mm.

For complete engineering and design information: **GoTo** www.boschrexroth-us.com/GoToRollerrails

Features

- Up to 3 times higher load capacity as compared to Ball Type Systems
- O Arrangement for high torsional load capacity and maximum stiffness
- Available in two Top Mount configurations with Plastic Hole Plugs or with the Rail Seal for Optimum contamination protection
- Offered in 1 mm increments up to 3900mm

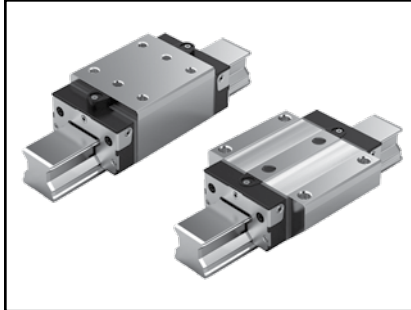
Technical Data

Size	Accuracy Class	A2 (mm)				GoTo L Max (mm)
			H2 Hole Plug Version (mm)	H2 Rail Seal Version (mm)	T2 Hole Spacing (mm)	
25	H, P, and SP	23	23.4	23.6	30	3900
35		34	30.80	31.10	40	
45		45	38.80	39.10	52.5	
55		53	47.55	47.85	60	
65		63	57.85	58.15	75	

Part Number	Description	Max. Quantity	Shipment (Business Days)
R180525331	Roller Rail 25mm, with Plastic Hole Plugs, H Accuracy	4	2 day(s)
R180525231	Roller Rail 25mm, with Plastic Hole Plugs, P Accuracy	4	2 day(s)
R180525131	Roller Rail 25mm, with Plastic Hole Plugs, SP Accuracy	4	2 day(s)
R180523331	Roller Rail 25mm, with Rail Seal and Clip Retainers, H Accuracy	4	2 day(s)
R180523231	Roller Rail 25mm, with Rail Seal and Clip Retainers, P Accuracy	4	2 day(s)
R180523131	Roller Rail 25mm, with Rail Seal and Clip Retainers, SP Accuracy	4	2 day(s)
R180535331	Roller Rail 35mm, with Plastic Hole Plugs, H Accuracy	10	2 day(s)
R180535231	Roller Rail 35mm, with Plastic Hole Plugs, P Accuracy	10	2 day(s)
R180535131	Roller Rail 35mm, with Plastic Hole Plugs, SP Accuracy	10	2 day(s)
R180533361	Roller Rail 35mm, with Rail Seal and Clip Retainers, H Accuracy	10	2 day(s)
R180533261	Roller Rail 35mm, with Rail Seal and Clip Retainers, P Accuracy	10	2 day(s)
R180533161	Roller Rail 35mm, with Rail Seal and Clip Retainers, SP Accuracy	10	2 day(s)
R180545331	Roller Rail 45mm, with Plastic Hole Plugs, H Accuracy	10	2 day(s)
R180545231	Roller Rail 45mm, with Plastic Hole Plugs, P Accuracy	10	2 day(s)
R180545131	Roller Rail 45mm, with Plastic Hole Plugs, SP Accuracy	10	2 day(s)
R180543361	Roller Rail 45mm, with Rail Seal and Clip Retainers, H Accuracy	10	2 day(s)
R180543261	Roller Rail 45mm, with Rail Seal and Clip Retainers, P Accuracy	10	2 day(s)
R180543161	Roller Rail 45mm, with Rail Seal and Clip Retainers, SP Accuracy	10	2 day(s)
R180555331	Roller Rail 55mm, with Plastic Hole Plugs, H Accuracy	10	2 day(s)
R180555231	Roller Rail 55mm, with Plastic Hole Plugs, P Accuracy	10	2 day(s)
R180555131	Roller Rail 55mm, with Plastic Hole Plugs, SP Accuracy	10	2 day(s)
R180553361	Roller Rail 55mm, with Rail Seal and Clip Retainers, H Accuracy	10	2 day(s)
R180553261	Roller Rail 55mm, with Rail Seal and Clip Retainers, P Accuracy	10	2 day(s)
R180553161	Roller Rail 55mm, with Rail Seal and Clip Retainers, SP Accuracy	10	2 day(s)
R180565331	Roller Rail 65mm, with Plastic Hole Plugs, H Accuracy	6	2 day(s)
R180565231	Roller Rail 65mm, with Plastic Hole Plugs, P Accuracy	6	2 day(s)
R180565131	Roller Rail 65mm, with Plastic Hole Plugs, SP Accuracy	6	2 day(s)
R180563361	Roller Rail 65mm, with Rail Seal and Clip Retainers, H Accuracy	6	2 day(s)
R180563261	Roller Rail 65mm, with Rail Seal and Clip Retainers, P Accuracy	6	2 day(s)
R180563161	Roller Rail 65mm, with Rail Seal and Clip Retainers, SP Accuracy	6	2 day(s)

GoTo Focused Delivery Program: Roller Rails

Standard Runner Blocks



Rexroth Roller Rail Systems in the GoTo program are available in sizes 25-65, P accuracy, with standard length flanged and high slimline blocks in 8% preload. Rails are cut to length, in 1 mm increments.

For complete engineering and design information: **GoTo** www.boschrexroth-us.com/GoToRollerrails

Features

- Excellent dynamic characteristics: up to V_{max} 4 m/s; A_{max} up to 150 m/s² to meet most application demands
- High load capacities in all load directions for robust applications
- Unlimited interchangeability due to standardized guide rail for all runner block versions for reduced inventory
- Comprehensive range of accessories for easy customization
- Integral, all-round sealing for superior contamination protection
- Multiple lubrication ports for auto lubrication design flexibility
- High rigidity for applications requiring minimal deflection

Technical Data

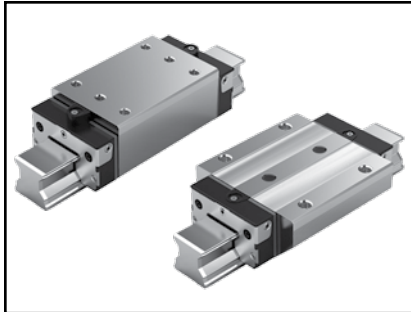
Size	Accuracy Class	Preload	Load capacities (N)		Moments (Nm)			
			C dyn.	C ₀ stat.	M _t dyn.	M _{t0} stat.	M _L dyn.	M _{L0} stat.
25 ¹⁾	P	C2	26,900	59,500	348	770	260	580
35			61,000	119,400	1,210	2,370	760	1,480
45			106,600	209,400	2,640	5,180	1,650	3,240
55 ¹⁾			140,400	284,700	4,120	8,350	2,610	5,290
65 ¹⁾			237,200	456,300	8,430	16,210	5,260	10,120

1) High slimline blocks are not part of the GoTo program in these sizes.

Part Number	Description	Max. Quantity	Shipment (Business Days)
R1851222X	Standard Flanged Runner Block 25, C2 Preload, P Accuracy	8	1 day(s)
R18513222X	Standard Flanged Runner Block 35, C2 Preload, P Accuracy	20	1 day(s)
R18514222X	Standard Flanged Runner Block 45, C2 Preload, P Accuracy	20	1 day(s)
R18515222X	Standard Flanged Runner Block 55, C2 Preload, P Accuracy	20	1 day(s)
R18516222X	Standard Flanged Runner Block 65, C2 Preload, P Accuracy	4	1 day(s)
R18213222X	Standard Slimline High Runner Block 35, C2 Preload, P Accuracy	8	1 day(s)
R18214222X	Standard Slimline High Runner Block 45, C2 Preload, P Accuracy	8	1 day(s)

GoTo Focused Delivery Program: Roller Rails

Long Runner Blocks



Rexroth Roller Rail Systems in the GoTo program are available in sizes 25-65, P accuracy, with long length flanged and high slimline blocks in 8% preload. Rails are cut to length, in 1 mm increments.

For complete engineering and design information: **GoTo** www.boschrexroth-us.com/GoToRollerrails

Features

- Excellent dynamic characteristics: up to V_{max} 4 m/s: A_{max} up to 150 m/s² to meet most application demands
- High load capacities in all load directions for robust applications
- Unlimited interchangeability due to standardized guide rail for all runner block versions for reduced inventory
- Comprehensive range of accessories for easy customization
- Integral, all-round sealing for superior contamination protection
- Multiple lubrication ports for auto lubrication design flexibility
- High rigidity for applications requiring minimal deflection

Technical Data

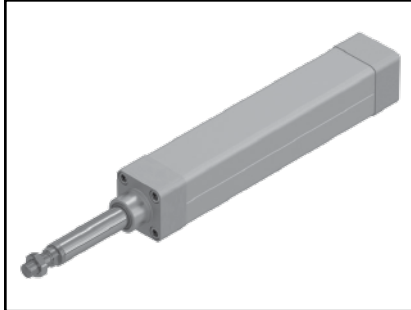
Size	Accuracy Class	Preload	Load capacities (N)		Moments (Nm)			
			C dyn.	C ₀ stat.	M _t dyn.	M _{t0} stat.	M _L dyn.	M _{L0} stat.
25 ¹⁾	P	C2	33,300	76,400	432	990	420	970
35			74,900	155,400	1,490	3,080	1,220	2,530
45			132,200	276,400	3,270	6,830	2,690	5,630
55			174,000	374,900	5,100	10,990	4,420	9,520
65 ¹⁾			295,900	606,300	10,510	21,540	8,870	18,180

1) High slimline block is not part of the GoTo program in this size.

Part Number	Description	Max. Quantity	Shipment (Business Days)
R18532222X	Long Flanged Runner Block 25, C2 Preload, P Accuracy	8	1 day(s)
R18533222X	Long Flanged Runner Block 35, C2 Preload, P Accuracy	8	1 day(s)
R18534222X	Long Flanged Runner Block 45, C2 Preload, P Accuracy	20	1 day(s)
R18535222X	Long Flanged Runner Block 55, C2 Preload, P Accuracy	20	1 day(s)
R18536222X	Long Flanged Runner Block 65, C2 Preload, P Accuracy	12	1 day(s)
R18243222X	Long Slimline High Runner Block 35, C2 Preload, P Accuracy	8	1 day(s)
R18244222X	Long Slimline High Runner Block 45, C2 Preload, P Accuracy	8	1 day(s)
R18245222X	Long Slimline High Runner Block 55, C2 Preload, P Accuracy	8	1 day(s)

GoTo Focused Delivery Program: EMC Electromechanical Cylinders

Actuators



Rexroth Electromechanical Cylinders are a powerful alternative to pneumatic cylinders while providing significant benefits in energy efficiency and greater flexibility through higher thrust forces, variable speeds, and intermediate positioning. Rexroth EMC's are available in the GoTo program with many choices of drive configurations and mounting elements making them easy to order and install.

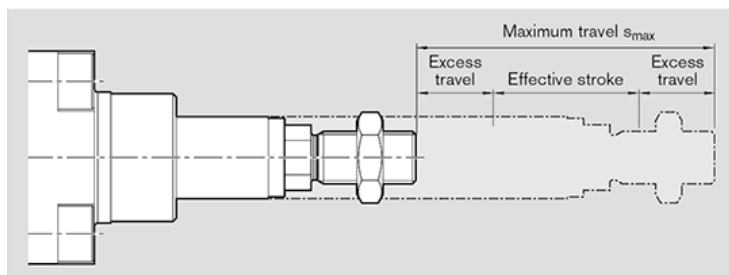
For complete engineering and design information: **GoTo** www.boschrexroth-us.com/GoToEMC

Features

- High mechanical efficiency for minimal energy use
- Integrated ball screw drive for exact positioning and powerful thrust capability
- Motor attachment via motor mount and coupling or via belt side drive
- Extensive series of attachments for complete design flexibility
- Interchangeable mounting dimensions with ISO pneumatic cylinders
- Stainless steel piston rod for use in harsh environments

Technical Data

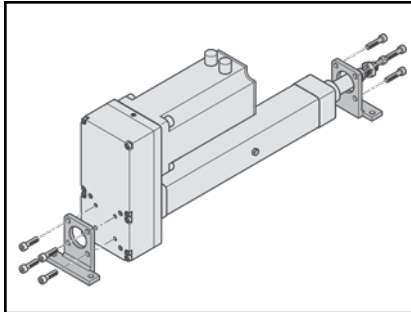
EMC	Screw drive diameter (mm)	Dynamic load capacity (N)	Max. axial force (N)	Max. drive torque (Nm)	Min. travel range (mm)	Max. travel range (mm)	Max. linear speed (m/s)	Max. rotary speed (RPM)	Max. accel. (m/s ²)	Frictional torque (Nm)	Axial clearance (μ)
32	12 x 5	4100	1200	1.1	30	750	0.57	6800	50.0	0.16	10
40	16 x 5	13300	4500	4.0	35	750	0.38	4600	50.0	0.28	10
	16 x 10	10400	3000	5.3	45		0.77	4600	50.0	0.33	15
50	20 x 5	15400	7800	6.9	40	900	0.32	3800	39.8	0.50	5
63	25 x 5	17200	15900	14.1	45	1200	0.28	3300	28.9	0.75	5
	25 x 25	15900	8000	35.4	95		1.38	3300	50.0	1.00	20
80	32 x 5	23300	21600	19.1	50	1500	0.25	3000	17.9	1.20	5
	32 x 10	26000	22000	38.9	80		0.50	3000	30.7	1.30	10
	32 x 32	21100	10400	58.9	120		1.60	3000	50.0	1.60	20
100	40 x 5	31400	29100	25.7	55	1500	0.18	2200	12.2	2.40	5
	40 x 10	42100	29000	51.3	70		0.37	2200	16.8	2.50	5
100XC	50 x 10	86100	56000	99.0	90	1500	0.50	3000	12.1	4.00	5
	50 x 20	104900	50000	176.8	115		1.00	3000	22.0	5.00	10



Part Number	Description		Max. Quantity	Shipment (Business Days)
R156010010	LINEAR ACTUATOR EMC-032-NN-2		2	10 day(s)
R156020010	LINEAR ACTUATOR EMC-040-NN-2		2	10 day(s)
R156030010	LINEAR ACTUATOR EMC-050-NN-2		2	10 day(s)
R156040010	LINEAR ACTUATOR EMC-063-NN-2		2	10 day(s)
R156050010	LINEAR ACTUATOR EMC-080-NN-2		2	10 day(s)
R156060010	LINEAR ACTUATOR EMC-100-NN-2		2	10 day(s)
R156070010	LINEAR ACTUATOR EMC-100-XC-2		2	10 day(s)

GoTo Focused Delivery Program: EMC Electromechanical Cylinders

Mounting Elements



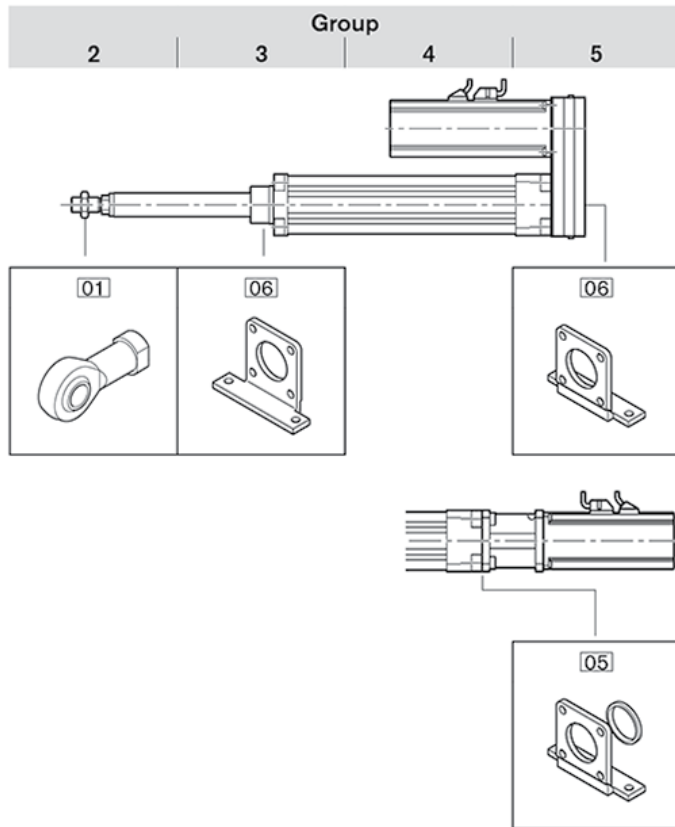
Mounting elements are used for attaching loads to the end of the thrust rod or fastening the ends of the EMC. They are delivered loose and with all necessary hardware.

For complete engineering and design information: **GoTo** www.boschrexroth-us.com/GoToEMC

Features

- See Technical Data for more information.

Technical Data



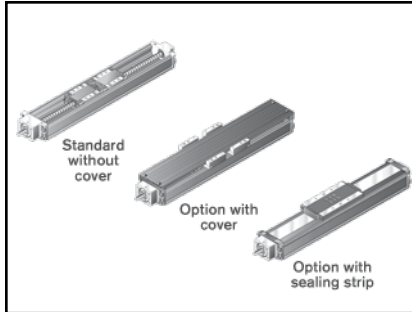
EMC Size	Group	Version	Option	Description
all	2	MF or RV	01	Female spherical rod end bearing
	3		06	Foot mount
	5	RV	06	Foot mount
		MF	05	Foot mount with centering ring

MF = In-line motor mounting
RV = Belt side drive

Part Number	Description			Max. Quantity	Shipment (Business Days)
R15616B104	FOOT ANCHORAGE	EMC100	BG	2	5 day(s)
R15616B105	FOOT ANCHORAGE	EMC100	BG	2	5 day(s)
R15611B104	FOOT ANCHORAGE	EMC32	BG	2	5 day(s)
R15611B105	FOOT ANCHORAGE	EMC32	BG	2	5 day(s)
R15612B104	FOOT ANCHORAGE	EMC40	BG	2	5 day(s)
R15612B105	FOOT ANCHORAGE	EMC40	BG	2	5 day(s)
R15613B104	FOOT ANCHORAGE	EMC50	BG	2	5 day(s)
R15613B105	FOOT ANCHORAGE	EMC50	BG	2	5 day(s)
R15614B104	FOOT ANCHORAGE	EMC63	BG	2	5 day(s)
R15614B105	FOOT ANCHORAGE	EMC63	BG	2	5 day(s)
R15615B104	FOOT ANCHORAGE	EMC80	BG	2	5 day(s)
R15615B105	FOOT ANCHORAGE	EMC80	BG	2	5 day(s)
R349938500	SWIVEL HEAD	EMC32		2	5 day(s)
R349938600	SWIVEL HEAD	EMC40		2	5 day(s)
R349938700	SWIVEL HEAD	EMC50/63		2	5 day(s)
R349938900	SWIVEL HEAD	EMC80/100		2	5 day(s)

GoTo Focused Delivery Program: PSK Precision Modules

Ball Screw Drive



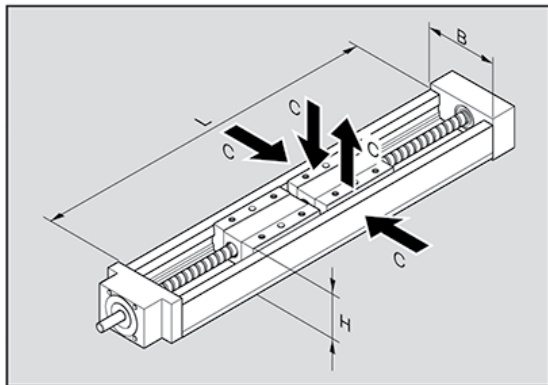
PSK Precision Modules are precise, ready-to-install linear motion systems that combine high stiffness with travel accuracy and compact dimensions. The standard design features several options including: PSK without cover, PSK with cover plate and PSK with unique sealing strip. Rexroth offers favorable price/performance ratios and fast delivery in the GoTo Program.

For complete engineering and design information: **GoTo** www.boschrexroth-us.com/GoToPSK

Features

- Extremely compact and rigid precision steel profile with reference edge and integrated Rexroth guideway
- Precision ball screw drive in tolerance grade 7 with zero-backlash nut system
- Aluminum fixed bearing end block with preloaded ball bearings and ball screw journal
- Floating bearing end block with double ball bearings
- One or two steel carriages, standard length or long for PSK with or without cover plate
- One aluminum carriage, standard length or long, for PSK with sealing strip

Technical Data



Precision Module	PSK-060	PSK-090
B (mm)	60	86
H (mm)	33	46
L (mm)	150 200 250 300 400 500 700	340 440 540 740 940

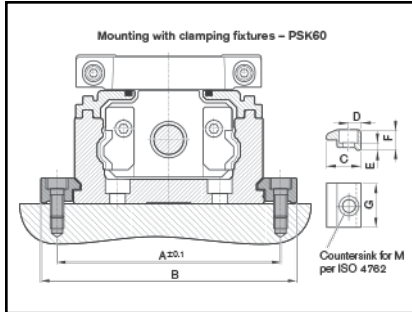
PSK Precision Module	Type of Cover	Carriage (carr.)		Dynamic load capacity C (N)	Guideway Dynamic load moments		Ball Screw		Fixed bearing Dynamic load capacity C (N)
		Number			M_t (Nm)	M_L (Nm)	Size $d_0 \times P$	Dynamic load capacity C (N)	
PSK-060 150 mm to 700 mm	w/o and w/ plate	Long	1 carr.	9,000	210.0	60	12 x 5	3,800	4,000
			2 carr.	14,620	341.0	$7.31 \times l_m$	12 x 5	3,800	4,000
	Strip	Standard	1 carr.	9,000	210.0	60	12 x 10	2,500	4,000
		Long	1 carr.	14,620	341.0	541	12 x 10	2,500	4,000
PSK-090 340 mm to 940 mm	w/o cover	Long	1 carr.	27,500	910.0	270	16 x 5	12,300	13,400
			2 carr.	44,670	1478.0	$22.34 \times l_m$	16 x 10	9,600	13,400
	Strip	Standard	1 carr.	21,300	710.0	150	16 x 16	6,300	13,400
		Long	1 carr.	34,600	1153.0	1557			

* l_m = carriage center to center distance

Part Number	Description	Max. Quantity	Shipment (Business Days)
R146530000	PSK-060 standard w/o cover OR w/ cover OR w/ sealing strip	3	10 day(s)
R146540000	PSK-090 standard w/o cover OR w/ cover	3	10 day(s)

GoTo Focused Delivery Program: PSK Precision Modules

Accessories



PSK cover strips and mounting accessories are used for the protection of internal elements and mounting of PSK-060 and PSK-090 modules to a fixed base.

General Note: the reference edge cannot be used in the region of the clamping fixtures. Suitable for all cover options.

For complete engineering and design information: **GoTo** www.boschrexroth-us.com/GoToCompactModules

Features

- The recommended number of clamping fixtures for mounting is: 3 pieces per 500 mm per side

Precision module	Dimensions (mm)								Part Number
	A	B	C	D	E	F	G	M	
PSK-060	72	85	15.0	6.5	4.8	10.0	22	M5	R141901001
PSK-090	100	115	17.5	7.5	5.8	12.0	25	M6	R141901000

Part Number	Description	Max. Quantity	Shipment (Business Days)
R141901001	Clamping piece PSK-060	24	1 day(s)
R141901000	Clamping piece PSK-090	24	1 day(s)
R141830112	Cover Strip for PSK-060	1	3 day(s)
R117519049	Cover Strip for PSK-090	1	3 day(s)

GoTo Focused Delivery Program: CKK Compact Modules

CKK Compact Modules



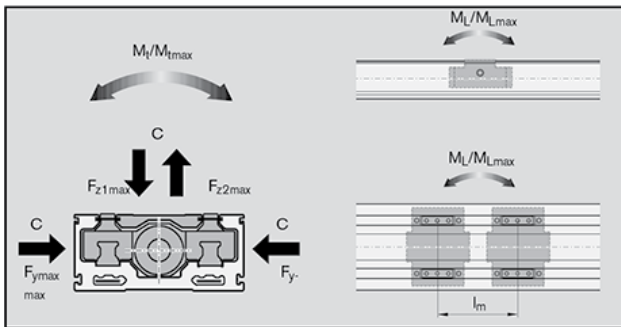
CKK Compact Modules are ready-to-install, precision ball screw drive systems, characterized by high performance, compact design, and good price/performance ratio. They are available in any desired length and feature identical external dimensions as the CKR Compact Module, simplifying the ordering of accessories and attachments. EasyHandling compatible options also available through the GoTo Program.

For complete engineering and design information: **GoTo** www.boschrexroth-us.com/GoToCompactModules

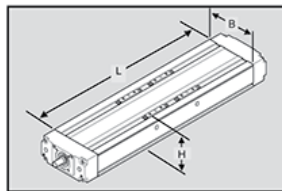
Features

- Two integrated zero-clearance ball rail systems provide optimized travel performance, high load capacities, and high rigidity
- Precision ball screw drive with preloaded ball nut, two row angular contact thrust bearing, and double ball bearings on float end
- Easy motor attachment by means of locating feature and threaded holes on the drive head. (In-line and side drive options available)
- Adjustable switches over the entire travel range; switch activation without switching cam
- Economical maintenance thanks to one-point lubrication feature (grease lubrication) from both sides or via the carriage
- Precise alignment and secure fastening of attachments with threads and pin holes in the carriage

Technical Data



Compact Module	CKK-090	CKK-110	CKK-145	CKK-200
B (mm)	90	110	145	200
H (mm)	40	50	65	100
Max. L (mm)	750	1,500	1,800	2,300

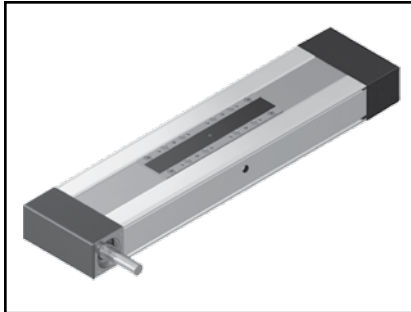


Compact Module	Number of Carriages	Guideway			Maximum Permissible Forces			Maximum Permissible Moments		Ball Screw	
		Dynamic Load Capacity C (N)	Dynamic Load Moments		F_{z1max} (N)	F_{z2max} (N)	F_{ymax} (N)	M_{tmax} (Nm)	M_{Lmax} (Nm)	Size	Dynamic Load Capacity
			M_t (Nm)	M_L (Nm)						$d_0 \times P$	C (N)
CKK-090	2 ($l_m = 65\text{mm}$)	7,500	200	240	7,500	7,500	4,050	200	240	12 x 5	3,800
										12 x 10	2,500
CKK-110	1	15,600	515	80	12,000	6,000	3,480	198	31	16 x 5	12,300
	2 ($l_m = 85\text{mm}$)	25,340	835	1,075	19,490	9,740	5,650	322	414	16 x 10	9,600
CKK-145	1	37,600	1,650	255	29,000	14,500	8,410	638	100	16 x 16	6,300
	2 ($l_m = 100\text{mm}$)	61,080	2,685	3,050	47,110	23,550	13,660	1,030	1,180	20 x 5	14,300
CKK-200										20 x 20	9,100
	2 ($l_m = 175\text{mm}$)	89,340	5,800	7,810	68,550	34,270	19,880	2,228	2,999	25 x 10	15,700
										32 x 5	21,500
										32 x 10	31,700
										32 x 20	19,700
										32 x 32	19,500

Part Number	Description	Max. Quantity	Shipment (Business Days)
R036030000	CKK 12-90 (screw drive)	4	10 day(s)
R036040000	CKK 15-110 (screw drive)	4	10 day(s)
R036050000	CKK 20-145 (screw drive)	4	10 day(s)
R036060000	CKK-200 (screw drive)	4	10 day(s)

GoTo Focused Delivery Program: CKR Compact Modules

CKR Compact Modules



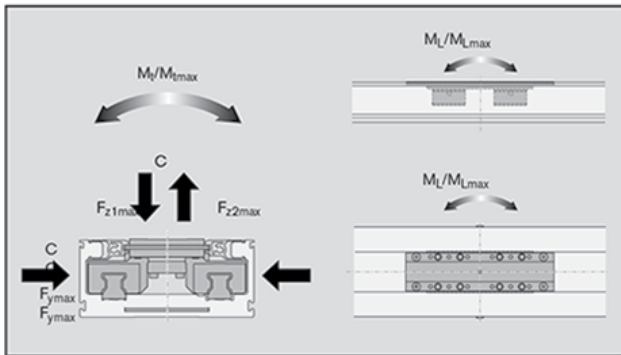
Rexroth Compact Modules are precision, ready-to-install linear motion systems characterized by their high performance, compact design, and good price/performance ratio. They are available in any desired length and both the CKK and CKR have identical external dimensions and use similar accessories and attachments, making them easy to order.

For complete engineering and design information: **GoTo** www.boschrexroth-us.com/GoToCompactModules

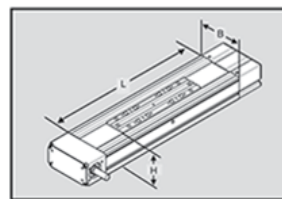
Features

- Two integrated zero-clearance ball rail systems provide optimized travel performance, high load capacities, and high rigidity
- Heavy duty toothed belt drive system capable of high thrust forces over long lengths
- Easy motor attachment by means of a locating feature and threaded holes on the drive end
- Adjustable switches over the entire travel range, switch activation without switching cam
- Economical maintenance thanks to one-point lubrication feature (grease lubrication) from both sides or via the carriage
- Precise alignment and secure fastening of attachments with threads and pin holes in carriage

Technical Data



Compact Module	CKR 15-110	CKR 20-145	CKR 25-200
B (mm)	110	145	200
H (mm)	50	65	100
Max. L (mm)	3,920	3,920	4,000

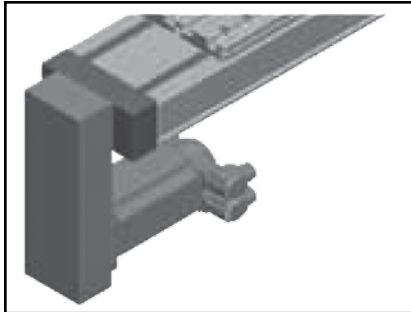


Compact Module	Carriage Length L _t (mm)	Dynamic Load Capacity C (N)	Dynamic Load Moments		Gear Red. Ratio i	Max. Drive Torque M _a (Nm)	Max. Belt Thrust Force F (N)	Maximum Permissible Forces			Maximum Permissible Moments	
			M _t (Nm)	M _L (Nm)				F _{z1max} (N)	F _{z2max} (N)	F _{ymax} (N)	M _{tmax} (Nm)	M _{Lmax} (Nm)
CKR 15-110	170	14,560	480	80	1	13.5	705	11,200	5,600	3,240	180	40
	215	23,650	780	1,000	5	2.4						
					10	1.1						
CKR 20-145	240	56,530	2,480	2,820	1	32.5	1,235	43,470	21,730	12,600	950	1,080
					5	6.4						
					10	3.2						
CKR 25-200	405	89,340	5,800	7,810	1	112.7	2,830	68,710	34,350	19,920	2,230	3,000
					3	24.0						

Part Number	Description	Max. Quantity	Shipment (Business Days)
R036440000	CKR 15-110 (belt drive)	4	5 day(s)
R036450000	CKR 20-145 (belt drive)	4	5 day(s)
R036460000	CKR 25-200 (belt drive)	2	8 day(s)

GoTo Focused Delivery Program: CKx Compact Modules

Motor Assemblies



Add a motor to your GoTo module. GoTo module options have been expanded to now include select catalog motor options. This option provides delivery and full factory assembly of the motor and motor attachment to the module. Motor options available and mounting orientation information shown.

For complete engineering and design information: **GoTo** www.boschrexroth-us.com/GoToCompactModules

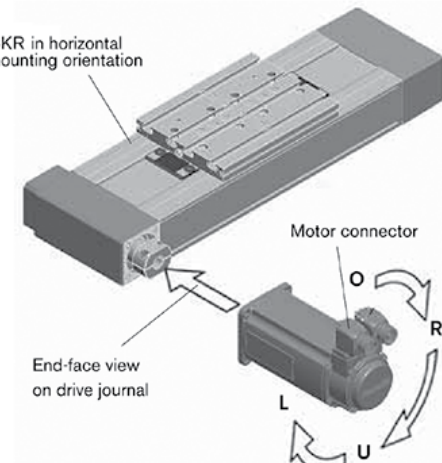
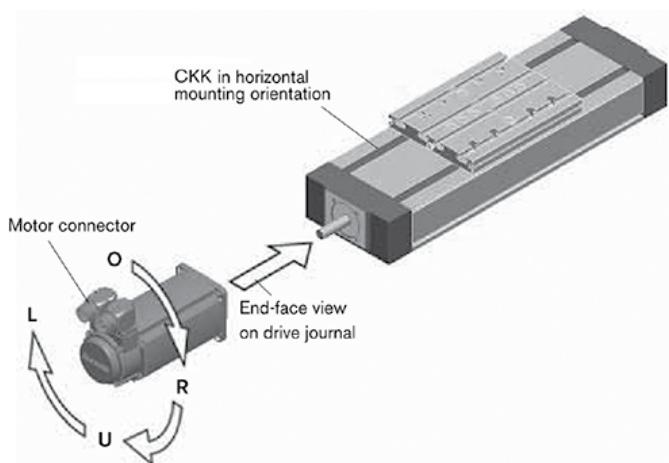
Features

- See Technical Data for more information.

Rexroth Catalog Motors

Module Option Code	Motor Description	Type Code
84	MSK 030C w/ Absolute Encoder	MSK030C-0900-NN-M1-UG0-NNNN
85	MSK 030C w/ Absolute Encoder & Brake	MSK030C-0900-NN-M1-UG1-NNNN
86	MSK 040C w/ Absolute Encoder	MSK040C-0600-NN-M1-UG0-NNNN
87	MSK 040C w/ Absolute Encoder & Brake	MSK040C-0600-NN-M1-US10NNNN
108	MSM 031C w/ Absolute Encoder	MSM031C-0300-NN-M0-CH0
109	MSM 031C w/ Absolute Encoder & Brake	MSM031C-0300-NN-M0-CH1
110	MSM 041B w/ Absolute Encoder	MSM041B-0300-NN-M0-CH0
111	MSM 041B w/ Absolute Encoder & Brake	MSM041B-0300-NN-M0-CH1

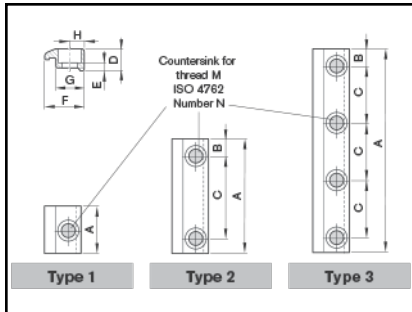
Motor orientation, viewed end-on looking at the module drive input, must be specified on the order. O-Top, R-Right, U-Bottom, L-Left.



Part Number	Description	Max. Quantity	Shipment (Business Days)
Varies I	MSK030C-0900-NN-M1-UG0-NNNN	2	15 day(s)
Varies II	MSK030C-0900-NN-M1-UG1-NNNN	2	15 day(s)
Varies III	MSK040C-0600-NN-M1-UG0-NNNN	2	15 day(s)
Varies IV	MSK040C-0600-NN-M1-UG1-NNNN	2	15 day(s)
Varies V	MSM031C-0300-NN-M0-CH0	2	15 day(s)
Varies VI	MSM031C-0300-NN-M0-CH1	2	15 day(s)
Varies VII	MSM041B-0300-NN-M0-CH0	2	15 day(s)
Varies VIII	MSM041B-0300-NN-M0-CH1	2	15 day(s)

GoTo Focused Delivery Program: CKx Compact Modules

Mounting Accessories



CKx mounting accessories are used to mount CKK and CKR modules to a fixed base.

For complete engineering and design information: **GoTo** www.boschrexroth-us.com/GoToCompactModules

Features

- The recommended number of clamping fixtures depends on the type used:
- Type 1: 6 pieces per meter per side
- Type 2: 4 pieces per meter per side
- Type 3: 3 pieces per meter per side

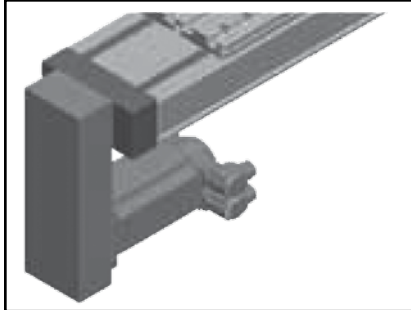
Frame size	For thread	Type	Number of holes N	Dimensions (mm)								Part number
				A	B	C	D	E	F	G	H	
110 and 145	M5	3	4	107	8.5	30	11.5	4.8	19.3	14.0	7	R037541002
		M6	1	1	25	—	—	11.5	5.3	19.3	14.0	7
	3		4	142	11.0	40	R037551002					
	2		2	72	11.0	50	R037551033					
	2	2	62	11.0	40	R037551034						
200	M8	2	2	108	19.0	70	27.5	16.3	29.0	19.0	9	R117529026

CKR Compact Modules: When installing the clamping fixtures, observe a minimum distance of 10 mm to the end face of the frame.

Part Number	Description	Max. Quantity	Shipment (Business Days)
R037541002	Clamping piece CKX-110	96	1 day(s)
R037551033	Clamping piece CKX-110 / -145	16	1 day(s)
R037551000	Clamping piece CKX-145	96	1 day(s)
R037551002	Clamping piece CKX-145	96	1 day(s)
R037551034	Clamping piece CKX-145	16	1 day(s)
R117529026	Clamping piece – CKx-200	48	1 day(s)

GoTo Focused Delivery Program: CKx Compact Modules

Spare Parts



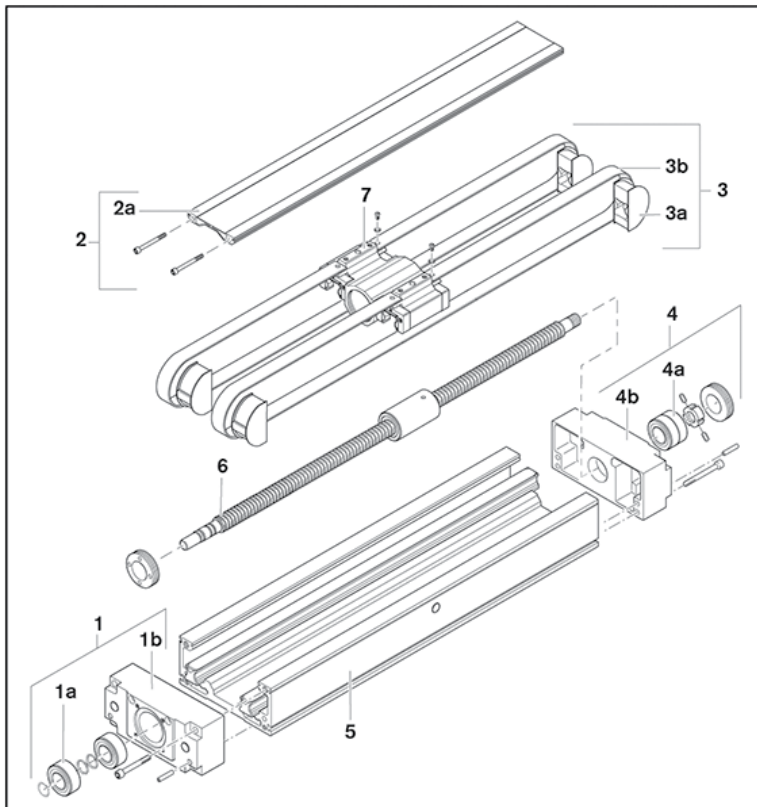
CKK and CKR spare parts are offered in the GoTo Program for quick replacement or service of existing units.

For complete engineering and design information: **GoTo** www.boschrexroth-us.com/GoToCompactModules

Features

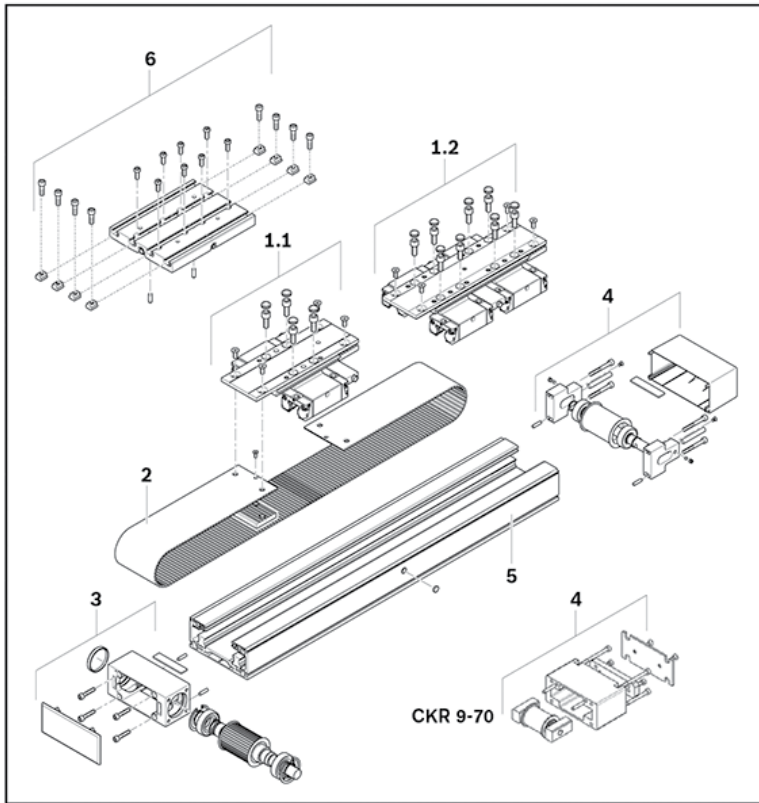
- Available CKK spare parts:
- Cover Strips
- Available CKR spare parts:
- Carriages (with magnets)
- Belts
- See detailed part number and descriptions in technical data

CKK spare parts offering in GoTo:



Part No.	Material Description	Pos.
R037431001	Cover Strip for CKK-090	3b
R037441001	Cover Strip for CKK-110	3b
R037451001	Cover Strip for CKK-145	3b
R037461001	Cover Strip for CKK-200	3b

CKR spare parts offering in GoTo:

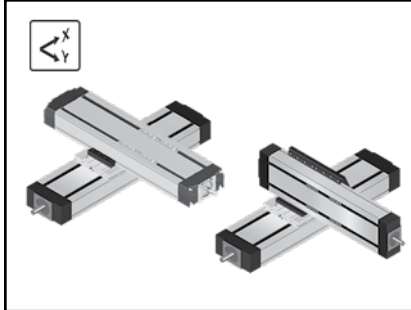


Part No.	Material Description	Pos.
R987205097	Carriage for CKR-110, 215mm length, with magnets	1.2
R987205098	Carriage for CKR-110, 170mm length, with magnets	1.1
R987205099	Carriage for CKR-145, 240mm length, with magnets	1.2
R037544001	Toothed Belt for CKR-110	2
R037554001	Toothed Belt for CKR-145	2

Part Number	Description	Max. Quantity	Shipment (Business Days)
R987205098	Carriage for CKR-110, 170mm length, with magnets	1	3 day(s)
R987205097	Carriage for CKR-110, 215mm length, with magnets	1	3 day(s)
R987205099	Carriage for CKR-145, 240mm length, with magnets	1	3 day(s)
R037431001	Cover Strip for CKK-090	1	3 day(s)
R037441001	Cover Strip for CKK-110	1	3 day(s)
R037451001	Cover Strip for CKK-145	1	3 day(s)
R037461001	Cover Strip for CKK-200	1	3 day(s)
R037544001	Toothed Belt for CKR-110	1	3 day(s)
R037554001	Toothed Belt for CKR-145	1	3 day(s)

GoTo Focused Delivery Program: EasyHandling

Connection Kits

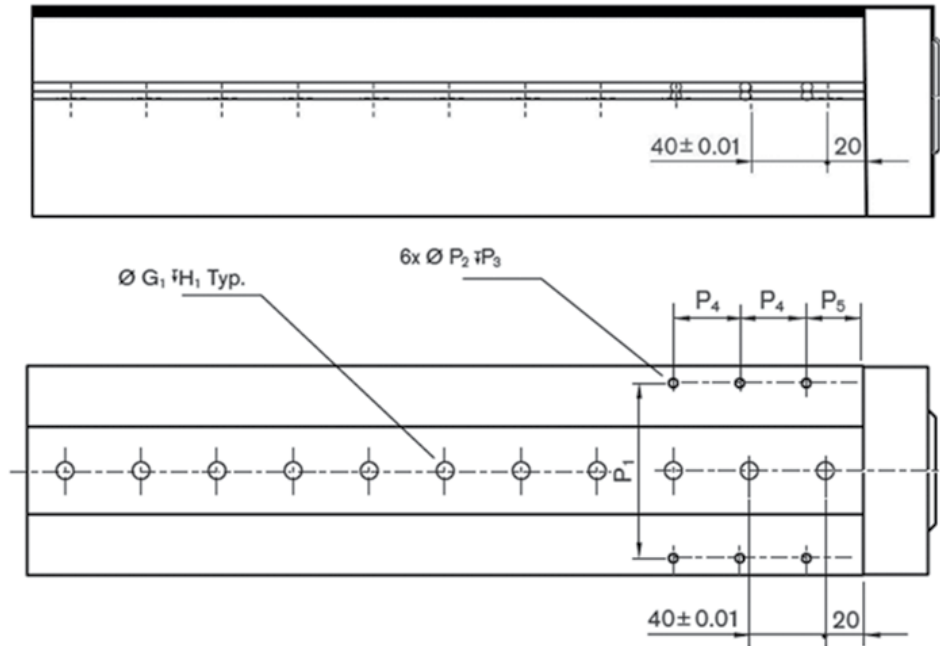


Combine EasyHandling Basic components effortlessly using Rexroth connection technology. Guideway Centering Ring option “03,” designed for positive-locking connections, ensures good reproducibility of assemblies. This option is available on GoTo modules with a maximum L dimension of 1450 mm.

For complete engineering and design information: **GoTo** www.boschrexroth-us.com/GoToEasyHandling

Features

- Easy and fast assembly thanks to direct connection
- Centering rings ensure precision and reproducibility for connections
- Optimized design for compact assemblies and installation space
- Standardized component interface across all connection technology
-



CKx size	P ₁	P ₂	P ₃	P ₄	P ₅	∅G ₁ H7	H ₁
9-70	59	M3	5.0	25	15	7	1.6
12-90	76	M4	7.5	35	30	9	2.1
15-110	92	M5	9.0	35	30	9	2.1
20-145	124	M6	13.0	35	30	12	2.1

Part Number	Description	Max. Quantity	Shipment (Business Days)
R039110326	Angle X145/Y110	2	3 day(s)
R039110182	Connecting Kit Extended X145/Y110 (Left Hand)	1	3 day(s)
R039110176	Connecting Kit Extended X145/Y110 (Right Hand)	1	3 day(s)
R039120046	Connecting Kit X110/Y110	2	3 day(s)
R039120047	Connecting Kit X145/Y110	2	3 day(s)
R039120048	Connecting Kit X145/Y145	2	3 day(s)
Varies with OptionGoTo Module with 03 Guideway Option (Centering Ring Machining)		4	15 day(s)

GoTo Focused Delivery Program: EasyHandling

Two Axis Assemblies



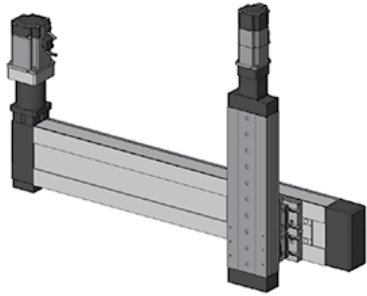
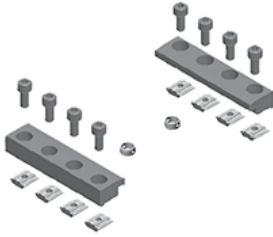
Create your own Cartesian or Gantry Assembly by utilizing EasyHandling Connection Technology. Direct connection kits eliminate the need for intermediate plates resulting in high structural integrity within minimal space requirements. Standardized angle brackets use centering rings to reduce part complexity, while allowing easy installation and reproducibility.

For complete engineering and design information: **GoTo** www.boschrexroth-us.com/GoToEasyHandling

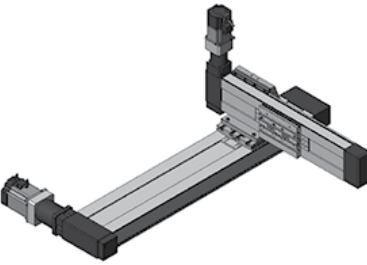
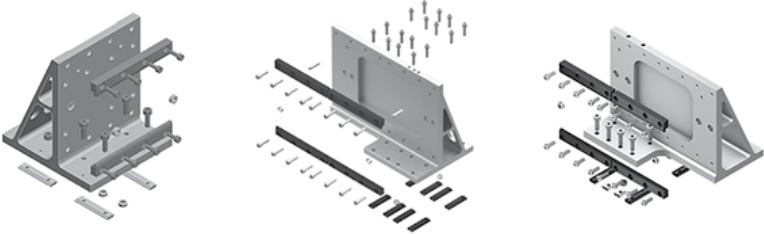
Features

- Easy and fast assembly thanks to direct connection
- Centering rings ensure precision and reproducibility for connections
- Optimized design for compact assemblies and installation space
- Standardized component interface across all connection technology
-

Direct Connection Hardware Kits

 <p>XZ Cartesian example using Direct Connection Kit</p>		
	Connecting Kit X110/Y110	R039120046
	Connecting Kit X145/Y110	R039120047
	Connecting Kit X145/Y145	R039120048

Angle Bracket Hardware Kits

 <p>XZ Cartesian example using Angle Connection Kit</p>		
	Angle X145/Y110	R039110326
	Connecting Kit Extended X145/Y110 (left hand)	R039110182
	Connecting Kit Extended X145/Y110 (right hand)	R039110176

Part Number	Description	Max. Quantity	Shipment (Business Days)
R021CSxxx	2-Axis Assembly (Angle Connection)	2	20 day(s)
R021CSxxx	2-Axis Assembly (Direct Connection)	2	20 day(s)

Bosch Rexroth USA

Headquarters
14001 South Lakes Drive
Charlotte, NC 28273
Telephone (800) REXROTH
(800) 739-7684
info@boschrexroth-us.com
www.boschrexroth-us.com/goto

Bosch Rexroth Canada

Headquarters
490 Prince Charles Drive South
Welland, ON L3B 5X7
Telephone (855) REXROTH
(855) 739-7684
info@boschrexroth.ca
www.boschrexroth.ca/goto

Bosch Rexroth Mexico

Av. Tejocotes y camino Viejo a la Lumbra S/N LT2
Col. San Martin Obispo
Cuautitlán Izcalli, Estado de México.
C.P. 54769
México
Telephone: +52 (55) 57 47 0800
info.dcmx@boschrexroth.com.mx
www.boschrexroth.com.mx/goto